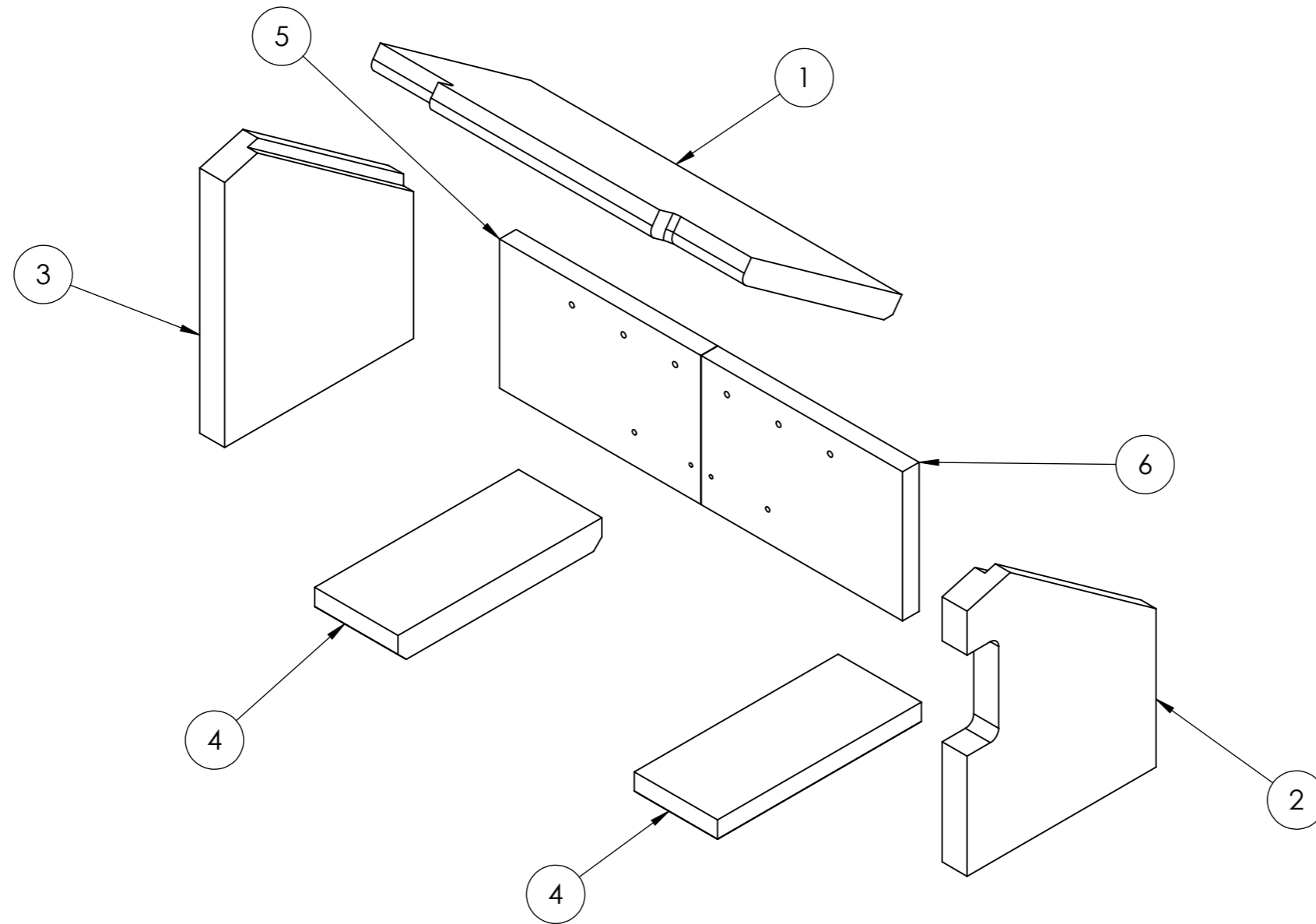






NO.	PART NUMBER	DESCRIPTION	QTY.
1	0023-0156	Røgvenderplade Inspire 45	1
2	0023-0158	Højre sidesten Inspire 45	1
3	0023-0159	Venstre sidesten Inspire 45	1
4	0023-0160	Bund sten Inspire 45	2
5	0023-0179	Venstre bagsten Inspire 45	1
6	0023-0180	Højre bagsten Inspire 45	1



Rev.	Description	Date	Approved
A	Approved	27-05-2020	MLN
01		27-05-2020	MLN
Cutting	Thread	Tooling	Rolling
0	0	0	0
Bending	Heating	Sandblasting	Welding
0	0	0	0
Painting	Drawn	MLN	
0	0		
Material	Thickness (mm)	Weight (kg)	Format
			A3
			Scale
			1:5
			General tol.
			Iso 2768-1 m
		Description	
		Vermiculit komplet - Inspire 45	
<small>All information contained in this document is property of HETA. Without written permission, any copying, transmittal to other and any use except that for which it is loaned is prohibited.</small>		Project	
		Inspire 40	
		Variant	
		Default	
		Sheet	
		1 OF 1	
		Rev.	
		A	
Part no.		6000-022784	