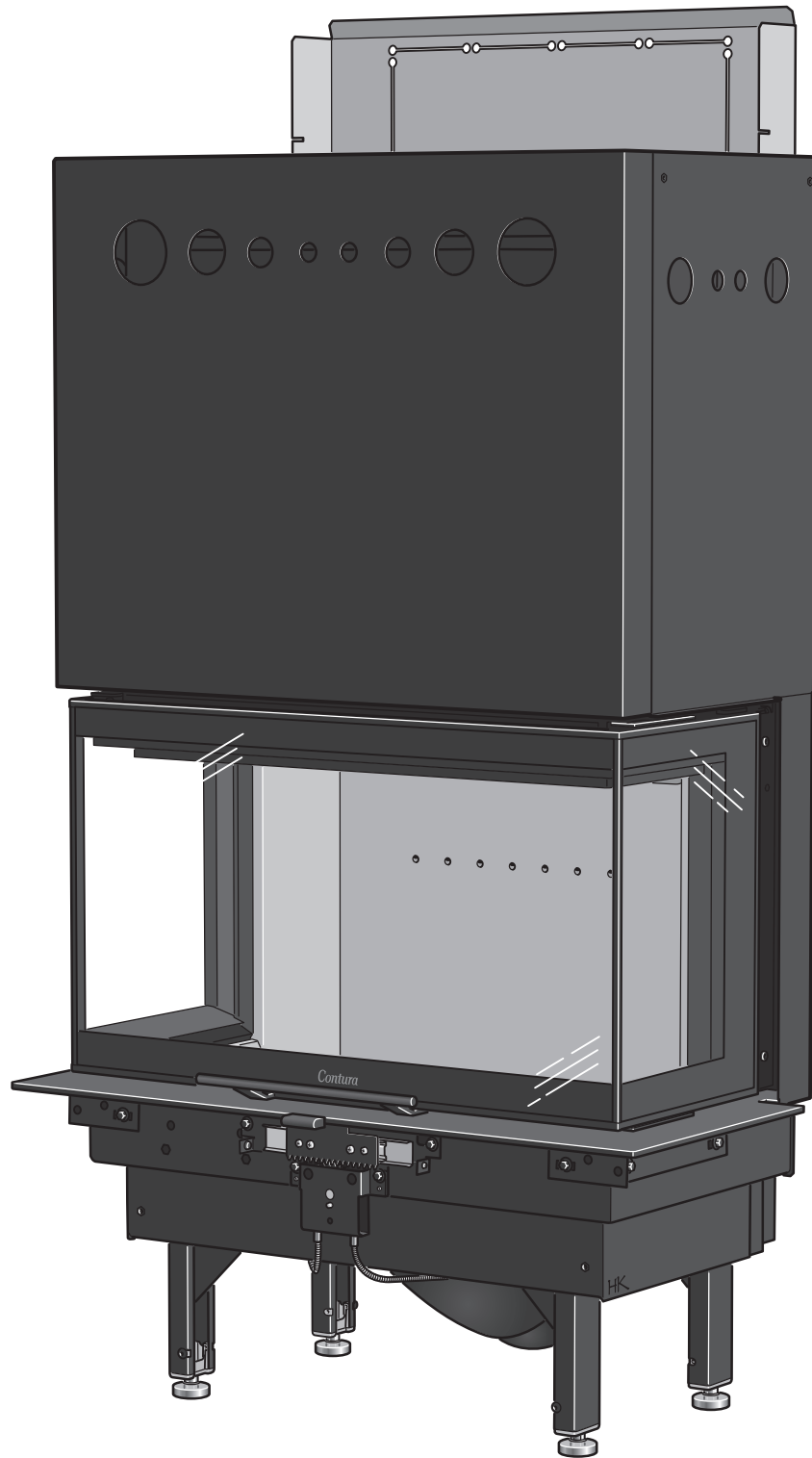


Installation instruction



Ci50

Contura

Declaration of performance according
to Regulation (EU) 305/2011
No. Ci50-CPR-150821-SE-2

Contura

PRODUCT

Product type Insert lit with solid biofuels
Type designation Contura i50
Manufacturing number See rating plate on the insert
Intended area of use Heating of rooms in residential buildings
Fuel Wood

MANUFACTURER

Name NIBE AB / Contura
Address Box 134, Skulptörvägen 10
SE-285 23 Markaryd, Sweden

CHECKS

According to AVCP System 3
European standard EN 13229:2001/AC:2006, EN-13229:2001/A2:2004/AC:2007
Test institute Rein-Ruhr Feuerstätten Prüfstelle, NB 1625,
has checked declared performance and issued test report no. RRF-29 15 4067

DECLARED PERFORMANCE

Essential characteristics	Performance	Harmonised technical specification
Reaction to fire	NPD	EN 13229:2001/AC:2006, EN-13229:2001/A2:2004/AC:2007
Minimum distance to combustible material	Rear: 150 mm Side: 700 mm Follow the given conditions in the installation instructions.	
Risk of falling embers	Pass	
Emissions from combustion	CO 0,08%	
Surface temperatures	Pass	
Cleaning options	Pass	
Mechanical durability	Pass	
Emissions of hazardous substances	Pass	
Nominal output	8,0 kW	
Efficiency	80%	
Flue gas temperature in connector at nominal output	334°C	

The undersigned is responsible for the manufacture and conformity with the declared performance.



Niklas Gunnarsson, Business area manager NIBE STOVES
Markaryd, August 21, 2015



A warm welcome to Contura.

A warm welcome to the Contura family. We hope you will get a great deal of pleasure from your new insert. As a new owner of a Contura insert, you have secured a product with timeless design and long service life. Contura also has a combustion process that is both environmentally friendly and efficient, for the best heat production.

Read through these installation instructions carefully before installation. Read how to best light your stove in the lighting instructions.

List of Contents

Technical specifications	84
Important dimensions	85
Prior to installation	85
For installation in the UK and in smoke control areas	88
Installation	94
Chimney	95
Recessing the insert	96
Recess example	97

NOTE:

Report the installation of a stove to your local authority.

The owner of the house is personally responsible for ensuring compliance with the mandatory safety requirements and must have the installation approved by a qualified inspector. Your local chimney sweep must also be informed about the installation as this will affect the routines for regular chimney-sweeping services.

WARNING!

The insert becomes very hot

During operation, certain surfaces of the insert become very hot and can cause burn injuries if touched. Also, take heed of the strong heat radiated through the door glass. Placing flammable material closer than the safe distance indicated may cause a fire. Smoulder combustion can cause quick gas ignition with the risk of damage to property and personal injury.

Technical specifications

Model	i50
Output	6-11 kW
Nominal output	8 kW
Efficiency	80%
Weight (kg)	155
Width (mm)	765
Depth (mm)	485
Height (mm)	1465

Connector diameter Ø150 mm ext.

General

This manual contains instructions about how to assemble and install the Contura i50. To ensure the function and safety of the insert, we recommend that installation is carried out by an authorised technician. Our Contura agents can recommend a suitable installer; information regarding our agents is available at www.contura.eu. Instructions for lighting are also supplied with the insert. Read them carefully and keep them safe for future use.

Structural support

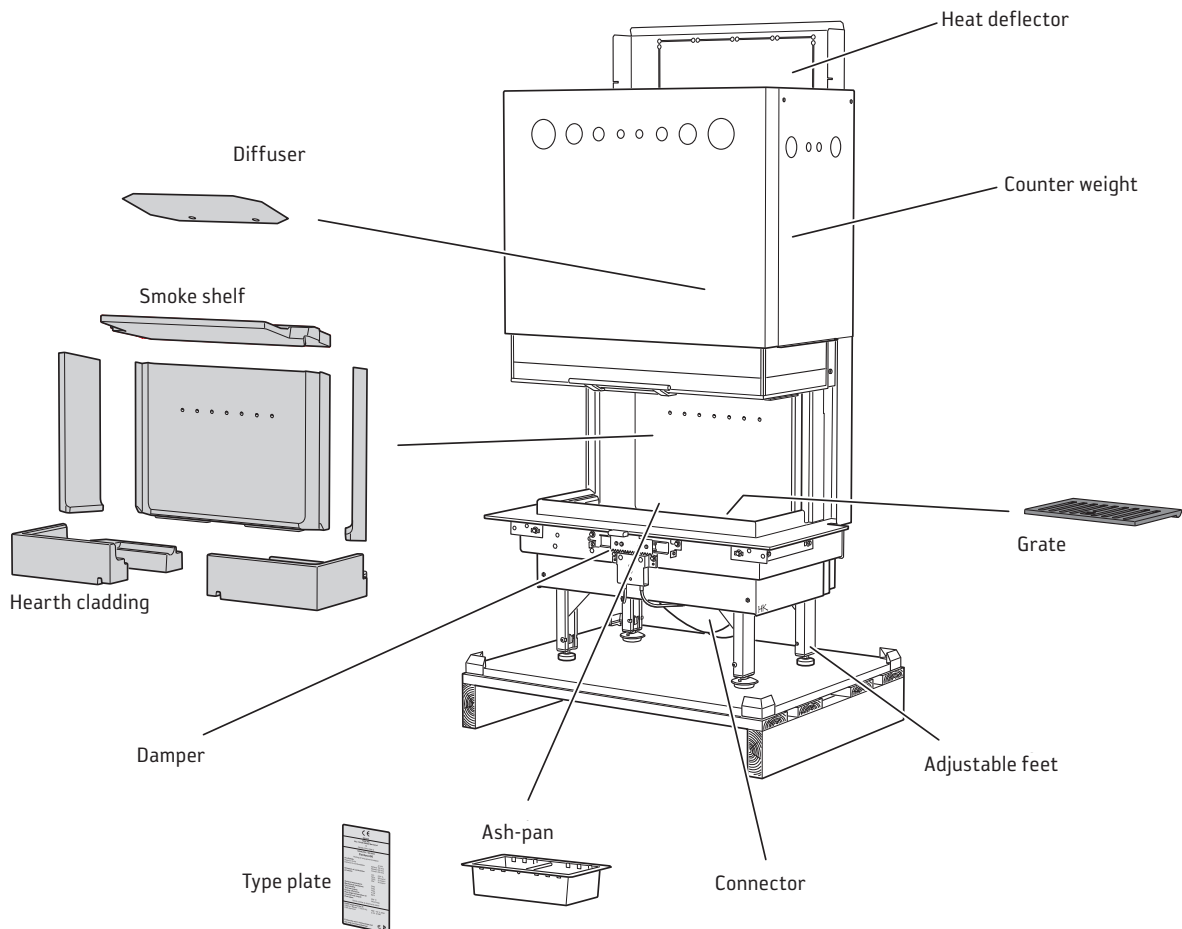
Check that floor joists have the sufficient load capacity for the insert, chimney and construction parts that are used when recessing.

Floor plate

If the floor under the stove is flammable, it must be protected by a non-flammable material e.g. natural stone, concrete or at least 0.7 mm thick metal. The floor in front of the hearth opening must be protected against any falling embers using non-flammable material that covers an area at least 300 mm all around. A toughened glass hearth plate is available as an accessory.

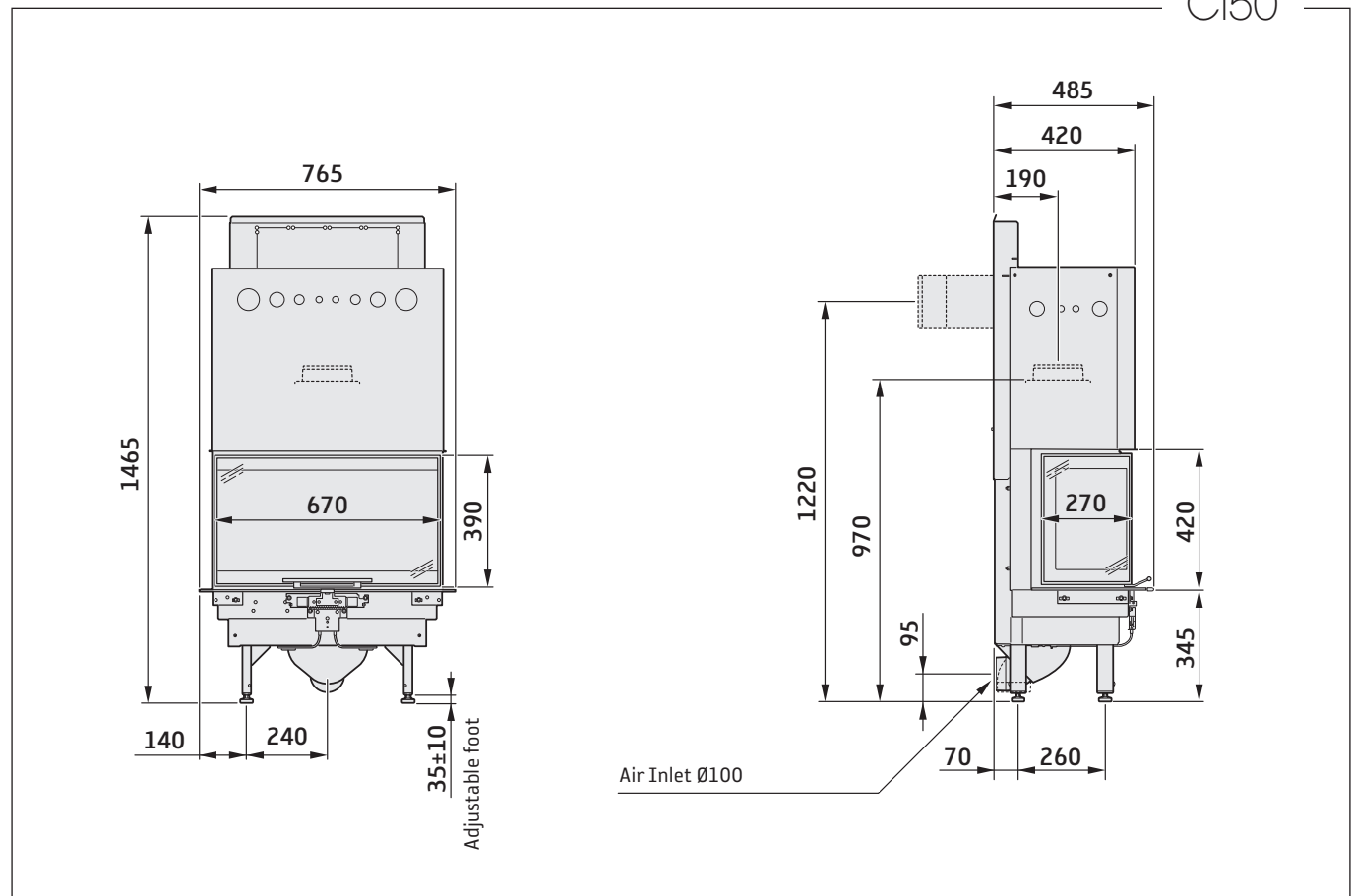
Application to local authority

Before installing a stove or erecting a chimney, it is necessary for you to make an application for permission to your local authority. Ask your local authority for advice regarding regulations and the application.



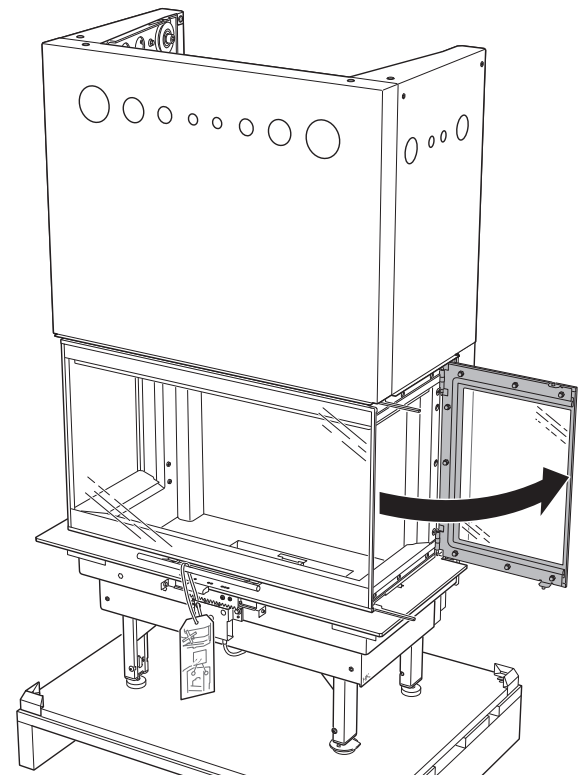
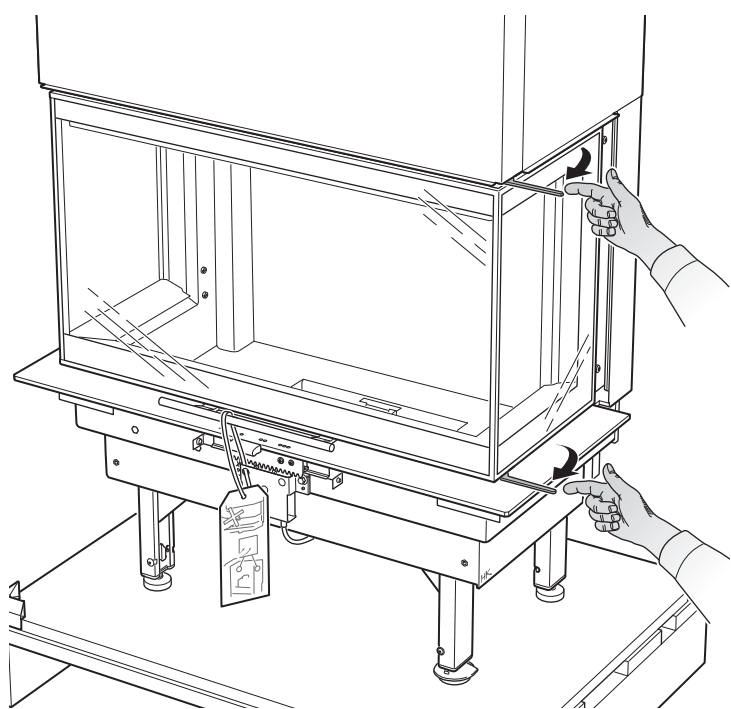
Important dimensions

Ci50

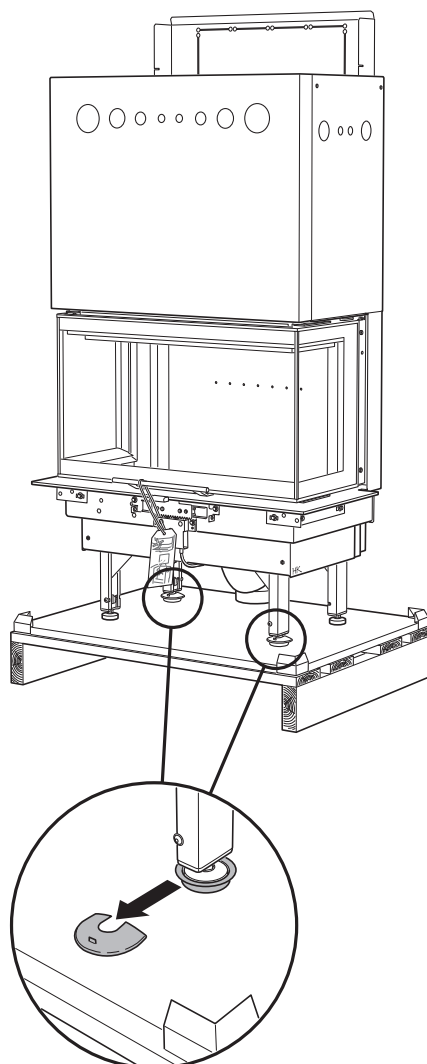
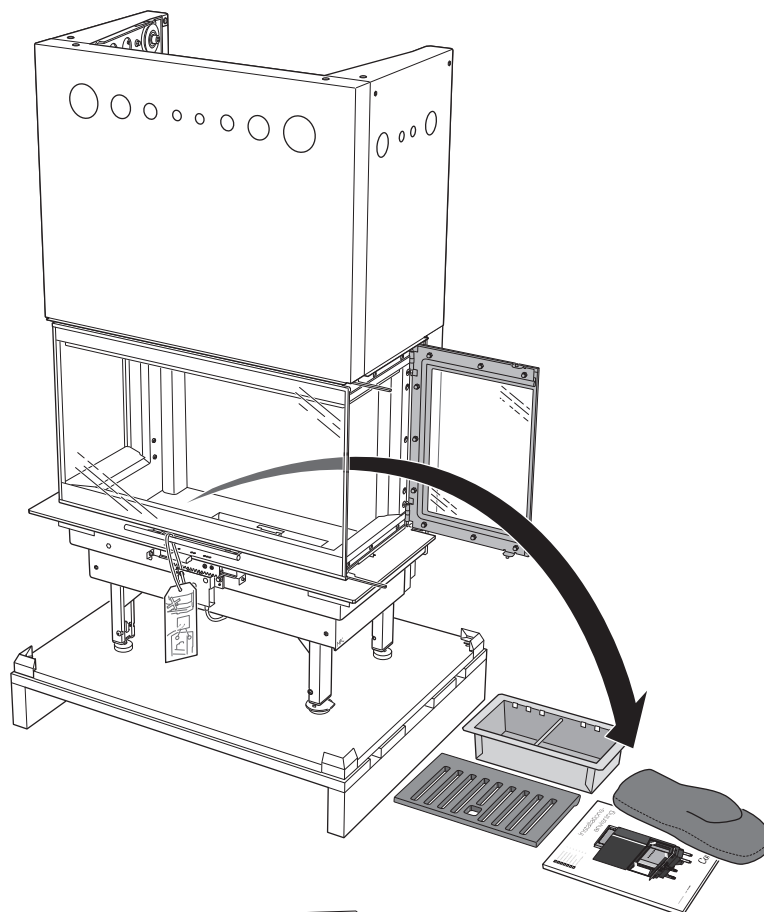


Prior to installation

Opening sidelights

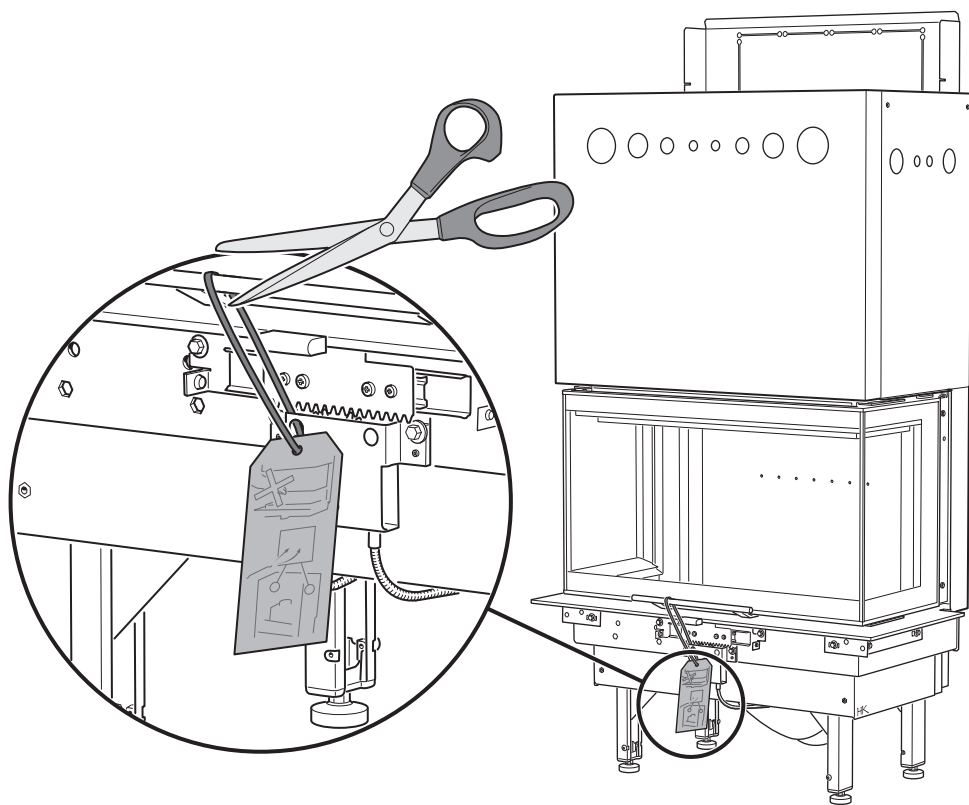
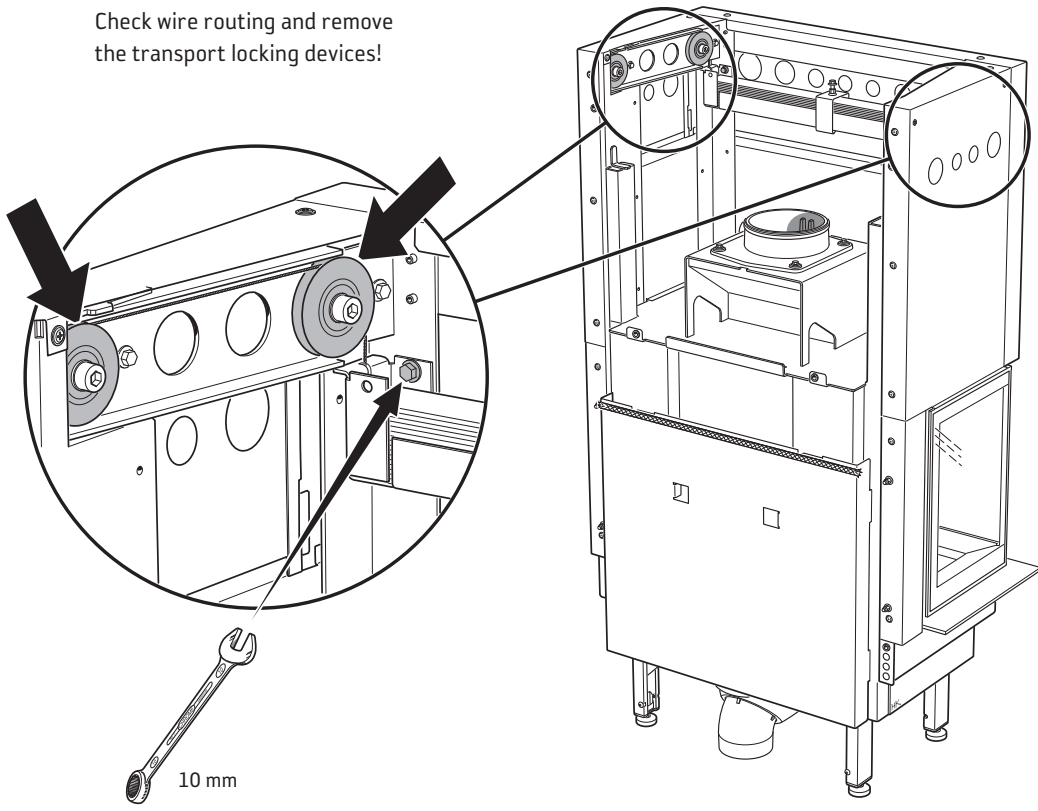


Remove the loose parts from the firebox.





Check wire routing and remove the transport locking devices!



Function check

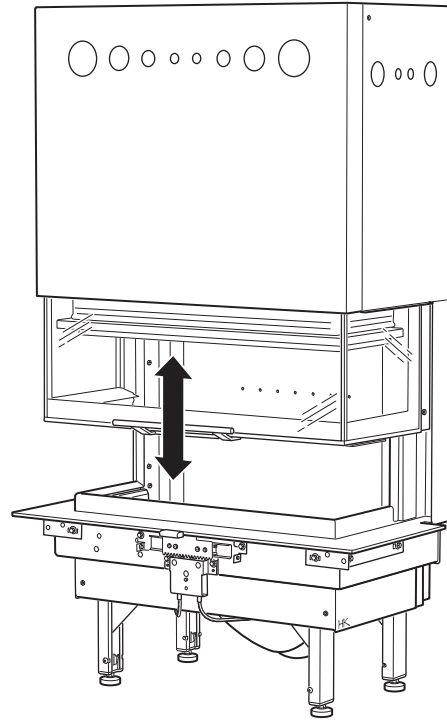
Perform a function check on the Insert as follows:

Use the adjustable feet to level the insert. Check that the door can be opened and closed.

Check that the damper knob can be moved back and forth to the max and min marks.



The door runners are lubricated at the factory, with special grease that can withstand high temperatures. This type of grease is usually difficult to find on the market and we recommend contacting a Contura dealer to order this special grease when lubricating the runners.

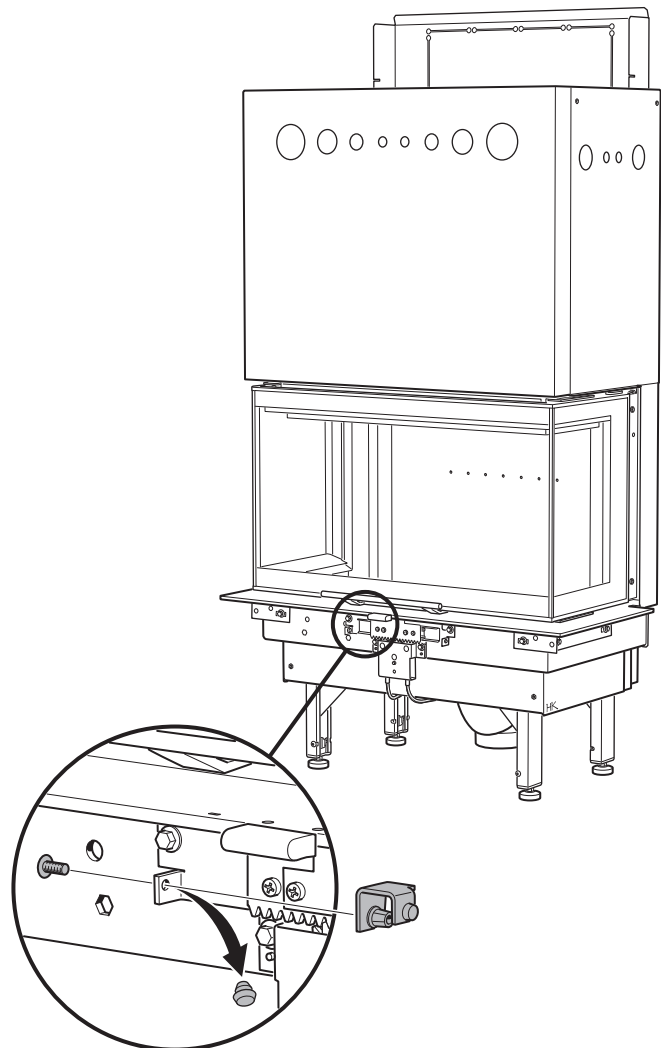


For installation in the UK and in smoke control areas

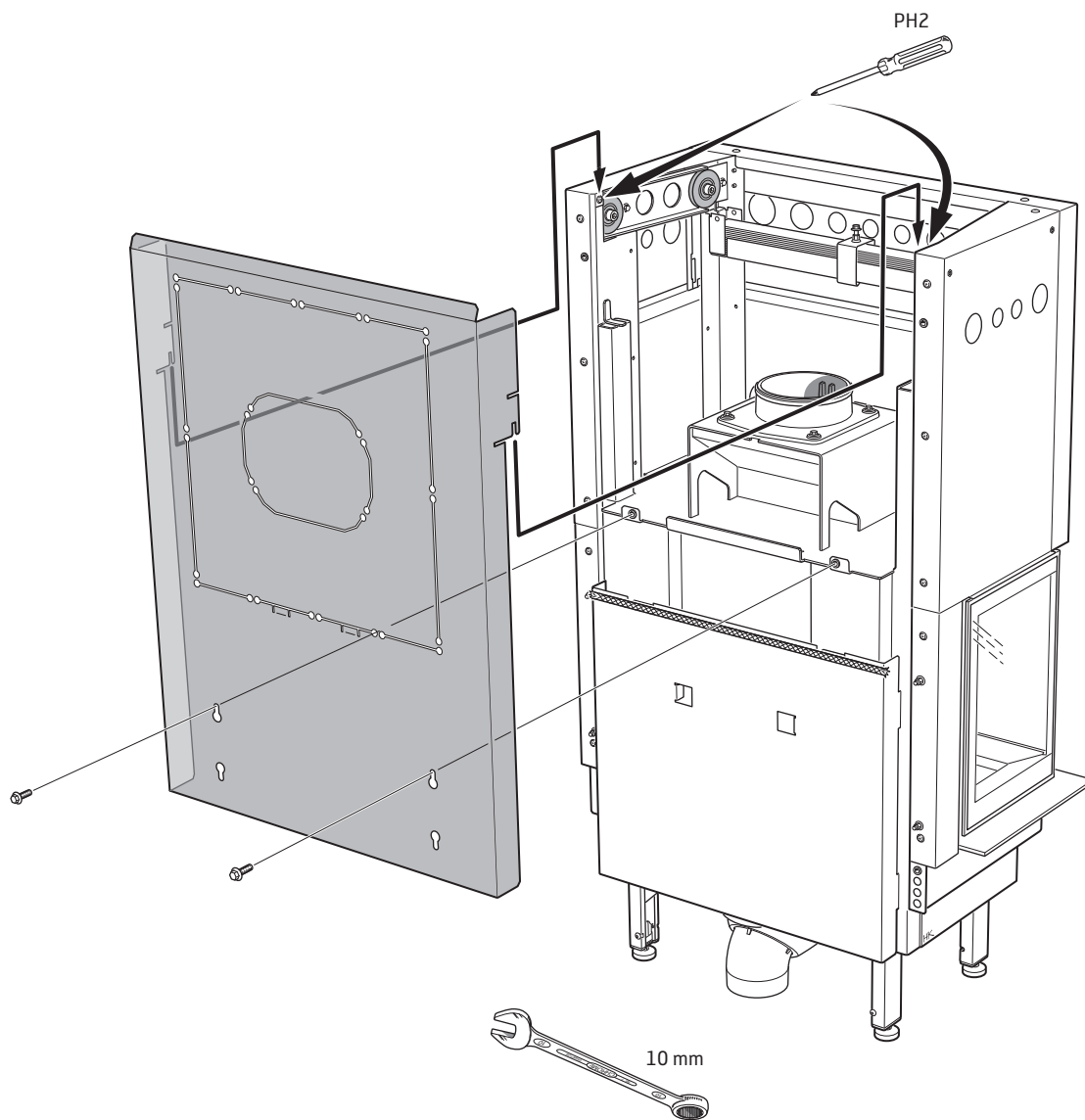
Mandatory for smoke control areas

The Contura i50 and i51, 8 kW woodburning stoves has been recommended as suitable for use in smoke control areas. This when burning wood logs and operated in accordance with these instructions and when fitted with a permanent stop to prevent closure of primary air control beyond the 52 mm² open position, secondary air control beyond the 500 mm² open position and the tertiary air control beyond the 215 mm² open position.

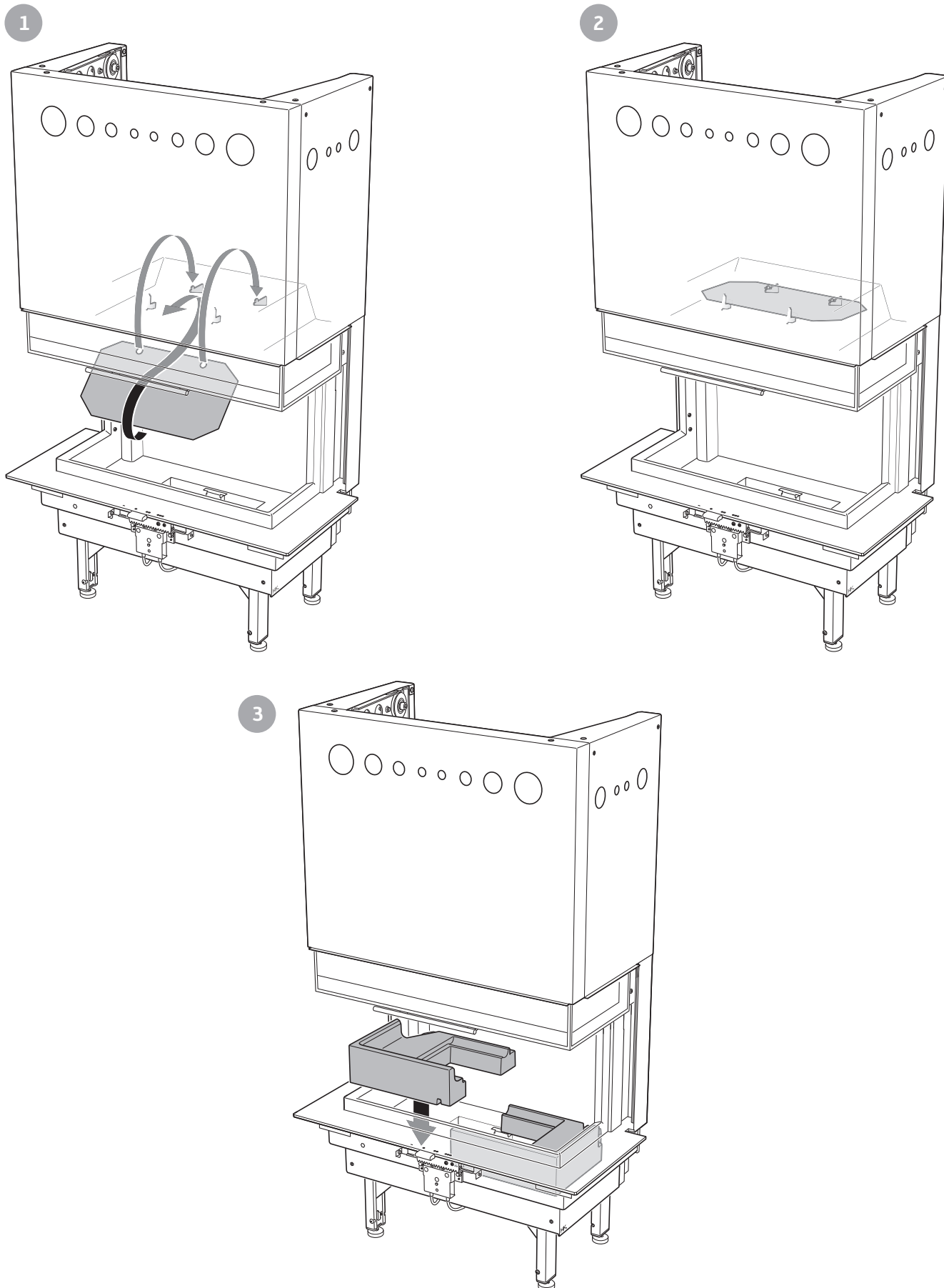
The permanent stop must be installed if the appliance is to be used in a smoke control area, this stop must not be removed in smoke control areas, otherwise an offence will be committed if the appliance is used without the permanent stop in place.

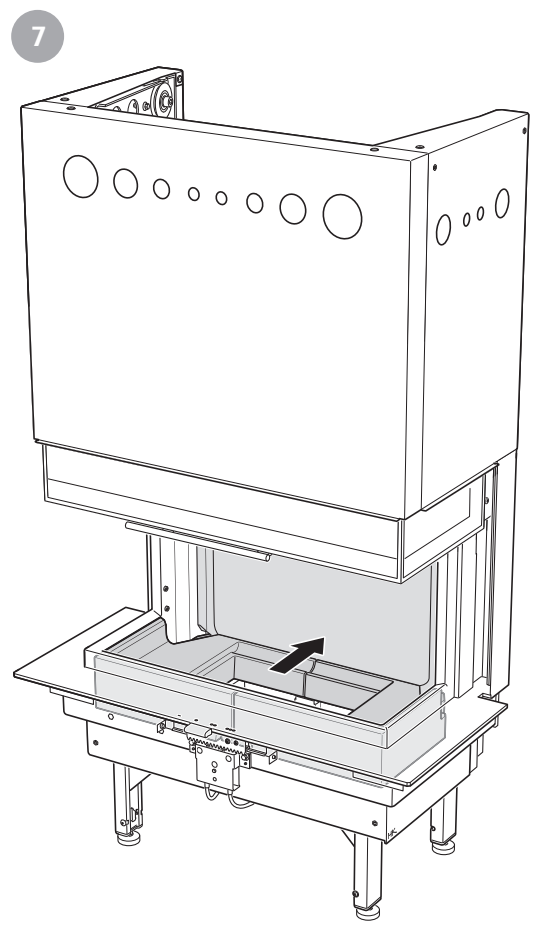
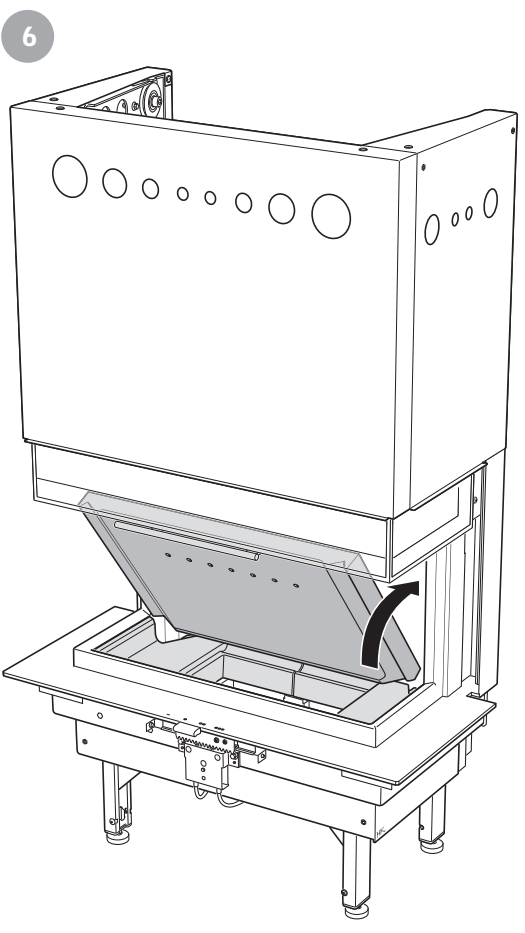
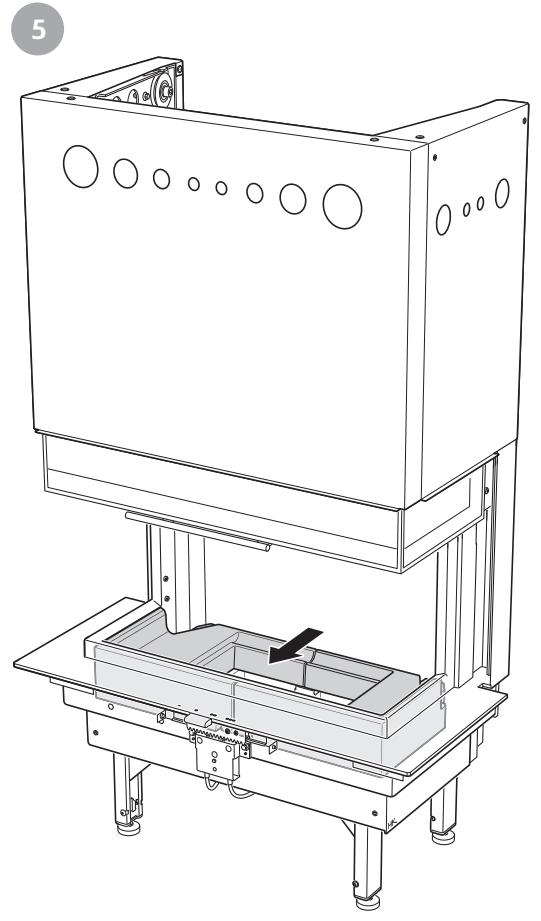
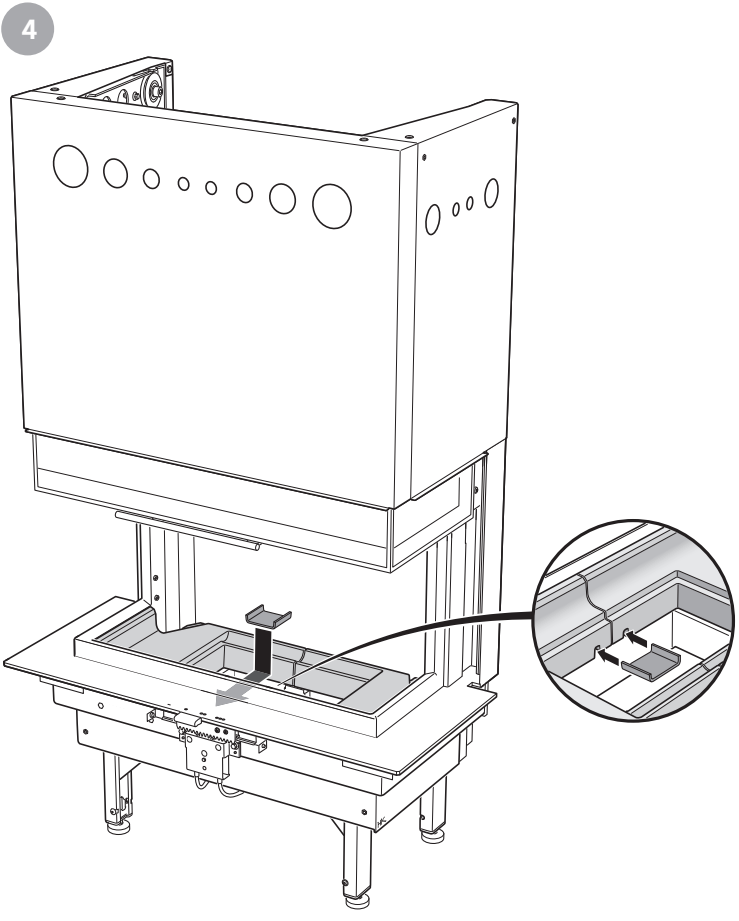


Installing heat deflector

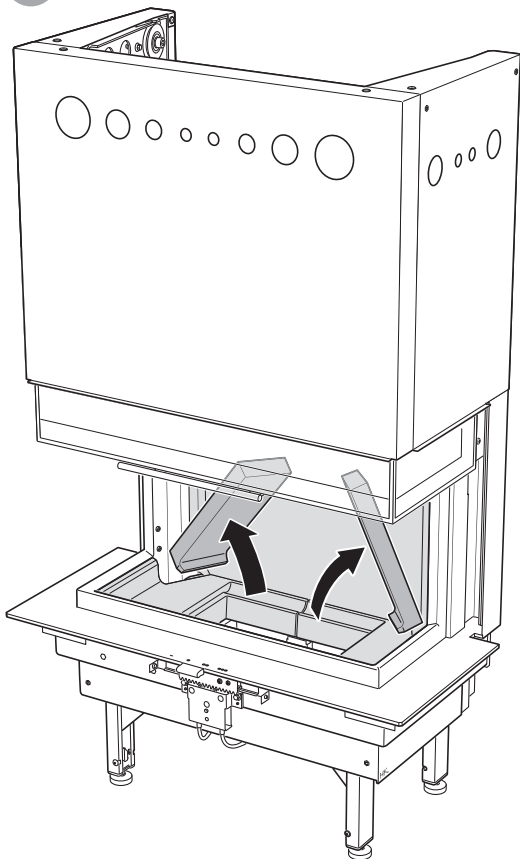


Installing the firebox cladding

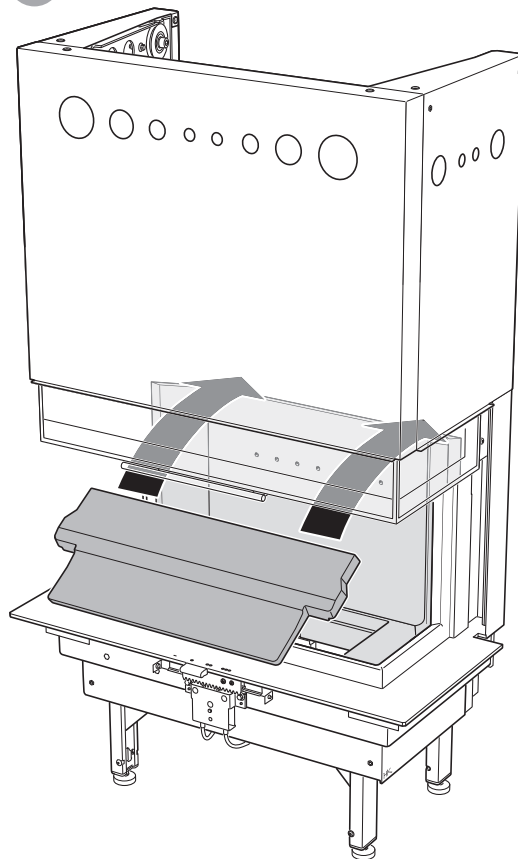




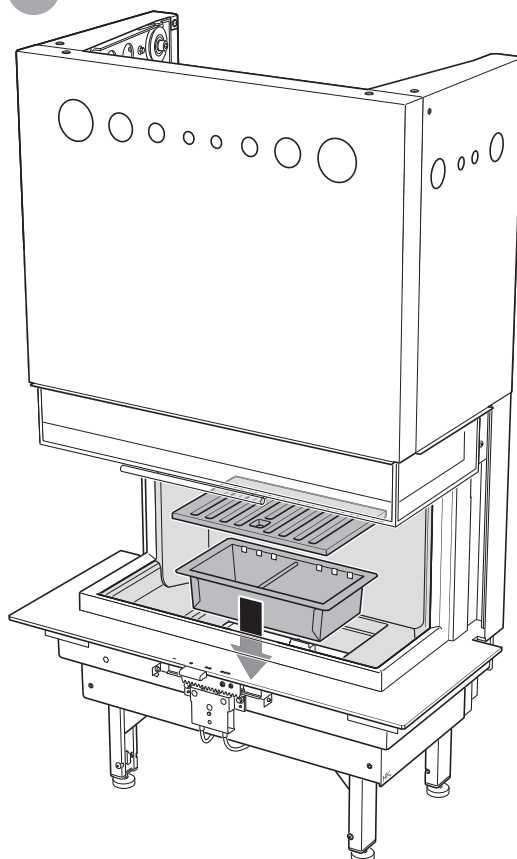
8



9



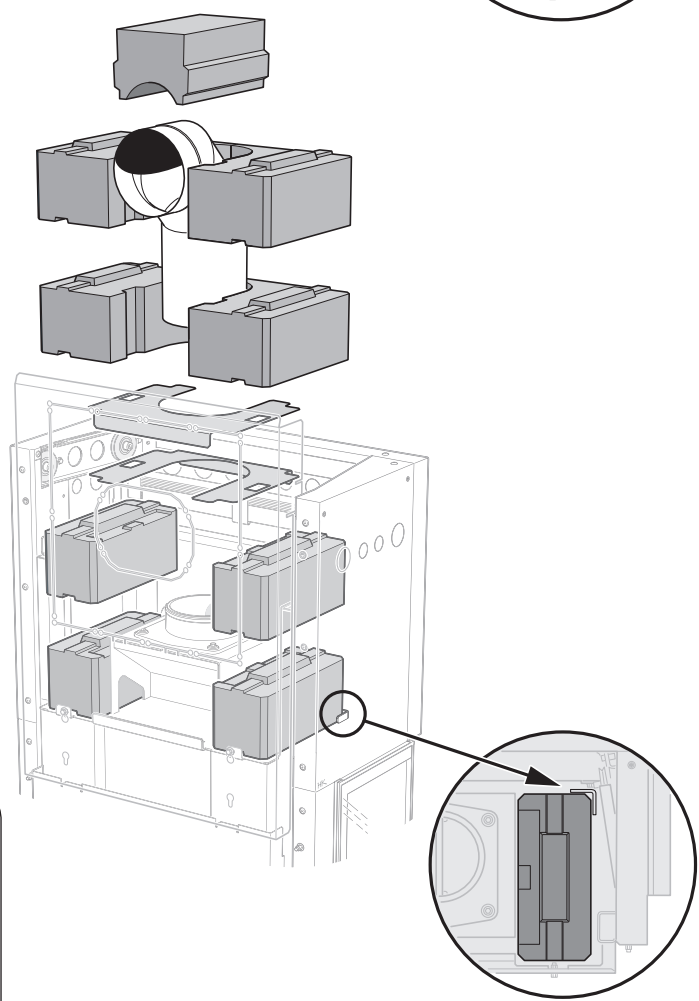
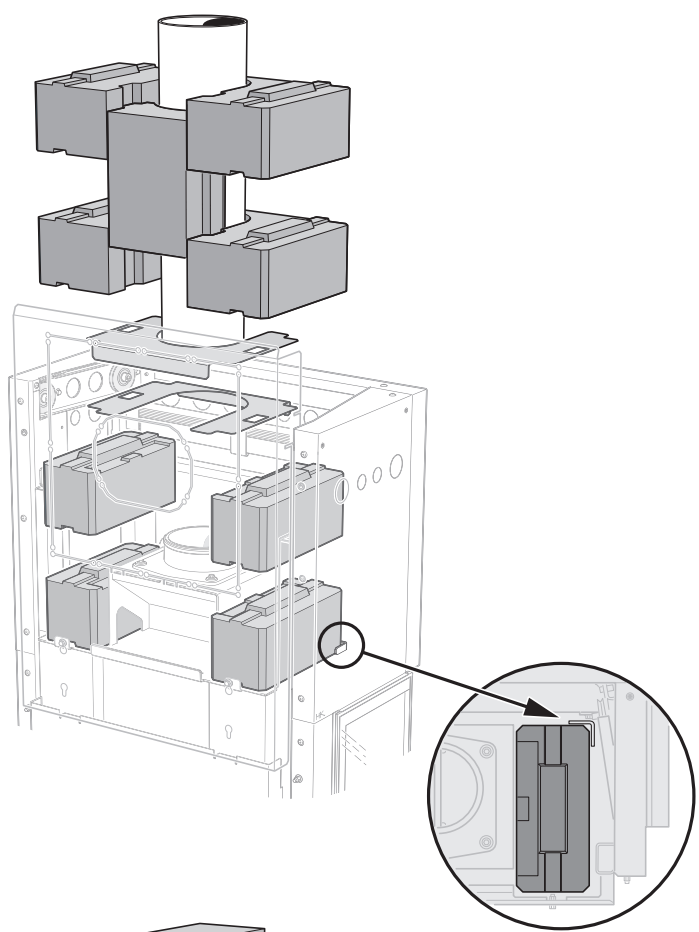
10



Installing Powerstone Option



Install the Powerstone blocks as illustrated.



- With combustion air hose as option – now install according to separate instructions.
- With recessing frame as option – now install according to separate instructions.

Installation

Ensure that the installation meets national and regional regulations. The installation must be approved by an authorized inspection body.

Supply of combustion air must be provided. Combustion air can be provided directly via a duct from outside, or indirectly via a vent in the outer wall of the room where the stove is placed. The amount of combustion air that is used for combustion is approx. 25 m³/h.

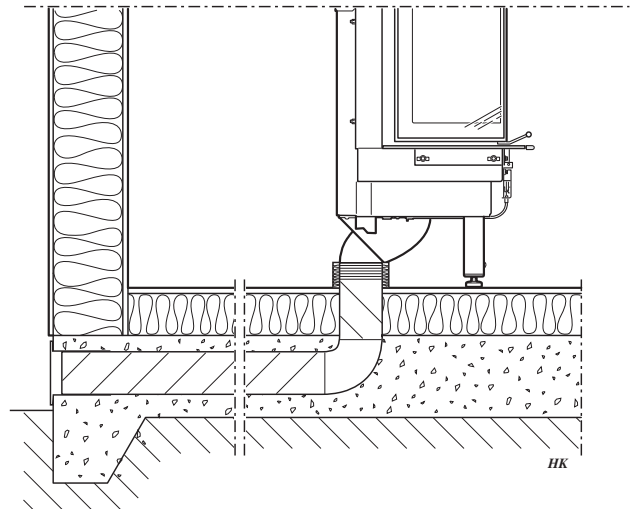
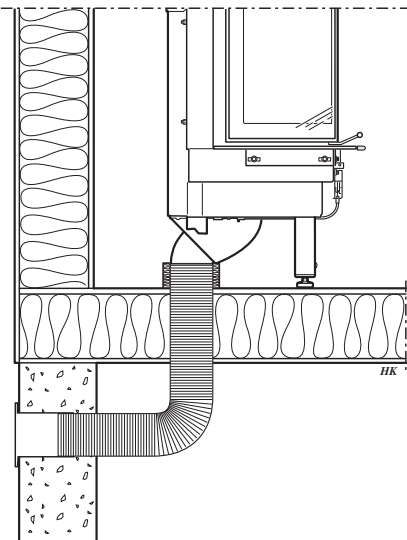
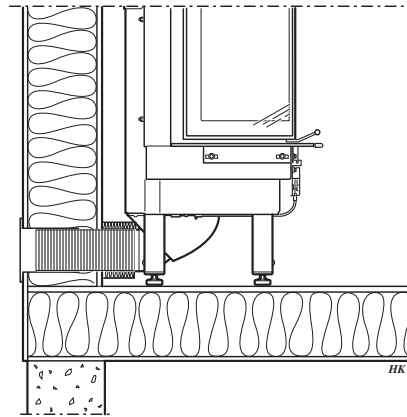
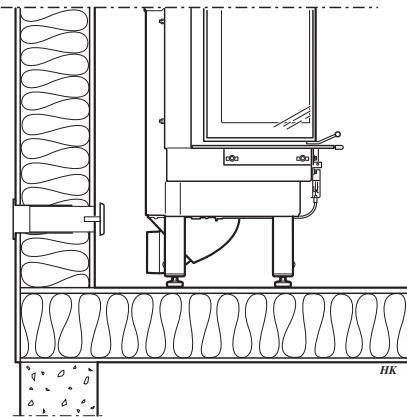
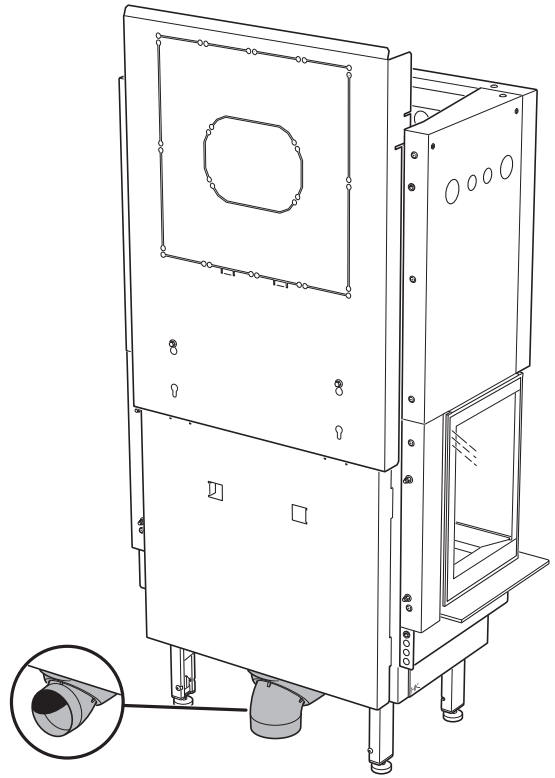
Some installation alternatives are shown below. The air duct connection on the stove has an external diameter of Ø100 mm.



Turn the connector to ensure an air supply!

In hot areas, the duct should be insulated with 30 mm mineral wool covered with a moisture inhibitor (aluminium tape). It is important that the lead-in, between the pipe and the wall (or floor), is sealed using jointing compound.

A 1 m length of condensation-insulated ducting for combustion air is available as an accessory.



Chimney

The insert is approved and must be connected to a chimney dimensioned for at least 350°C, the external connection diameter is $\varnothing 150$ mm.

The insert requires a draft in the chimney of at least -12 Pa. The draft is affected both by the length and area of the chimney, and by how well sealed it is. Carefully check that the chimney is sealed and that there is no leakage around soot hatches and flue connections.

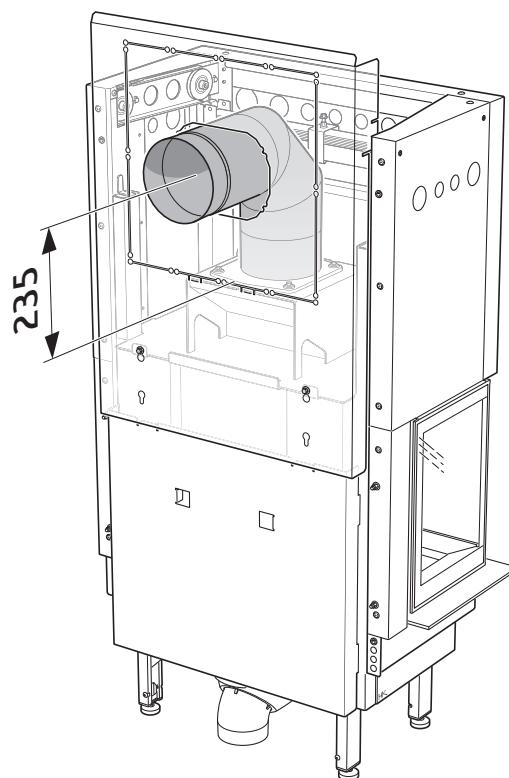
Note that a flue with sharp bends and horizontal routing reduces the draught in the chimney. The maximum horizontal flue is 1 m, on the condition that the vertical flue length is at least 5 m. It must be possible to sweep the full length of the flue and the soot hatches must be easily accessible.

If two fireplaces are connected to the same chimney flue, the stove must be equipped with self-closing door.

Rearward connection

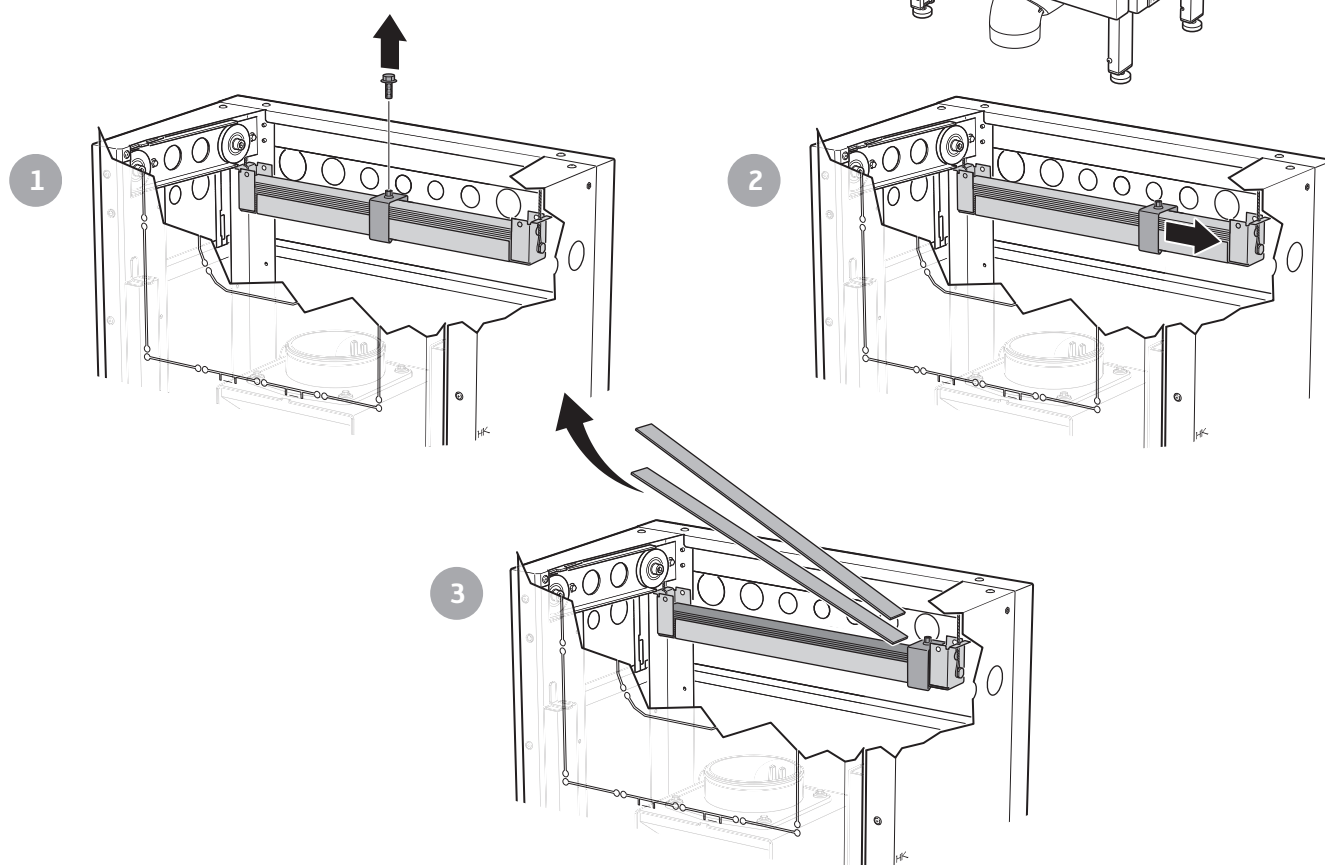
For the rearward connection it is recommended to use a $45^\circ+45^\circ$ angle with soot hatch and with the centre 235 mm above the connector.

It is important that sweeping can be carried out through convection grates or a hatch in the surround.



Self-closing door

(ONLY APPLIES TO GERMANY)



Recessing the insert

When recessing the insert, adjacent walls that are not classed as fire walls or are considered unsuitable for heat loads must be protected by non-combustible material according to the specification below.

All joints on the non-combustible material must be sealed using the manufacturer's recommended method. The area between the insert and the recess must be ventilated according to the specification/dimension diagrams on page 98.

Material requirements

The building material must not be combustible.

The thermal conductivity coefficient λ must be a maximum of 0.14 W/mK.

The thickness of the building material must always be at least 100 mm.

In cases where the building material's insulation properties are given as a U-Value, this must be a maximum of 1.4 W/ m²K.

Sealing

The recess must not go all the way up to the ceiling, leave an air gap of at least 20 mm closest to the ceiling. The recess must be sealed off above the convection exhaust. The seal must be 100 mm above the convection exhaust's upper edge and must be made

Convection air

The convection air ventilates the surround, cools the insert and transports the hot air out into the room. The effective cross section area on the air intake and exhaust must not be less than the stated values. The air intake must be positioned somewhere between floor level and the bottom of the insert, at the front or on the sides of the recess. The vent must be positioned above the insert's highest point at the front or to the sides of the recess.

If the air intake respectively the vent is positioned on the sides, the areas for the left respectively right sides must be the same size to ensure that the insert is evenly cooled.

The distance from the exhausts on the sides to the combustible wall behind must be 100 mm.

Observe the minimum distance up to the ceiling (see diagram on page 98).

Service



Access to the damper and counterweight must be ensured via doors or ventilation grilles in the surround.

When connecting a steel flue, please refer to the particular manufacturer's installation instructions. Observe the safety distance to combustible material required by the steel flue. Heat radiation from the door is strong and because of this combustible material must not be placed closer than 1.5 m in front of the door. When recessing, building material must not be in direct contact with the insert due to the thermal expansion of the insert. Note that building regulations apply regarding the area below and in front of the insert, see section "Hearth plate".

List of suitable materials:

Aerated concrete $\lambda = 0.12-0.14$

Vermiculite $\lambda = 0.12-0.14$

Calcium silicate $\lambda = 0.09$

of 100 mm non-flammable material according to the material requirements above. Use heat-resistant silicone, for example, between the seal and chimney.

Convection air in: 600 cm²

Convection air out: 600 cm²

If the convection outlets are directed upwards the following applies

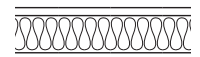
- the recess must be free-standing or placed against a non-combustible wall.

- the distance from the air outlet to combustible roof must be at least 750 mm.

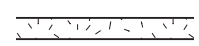
Recess example



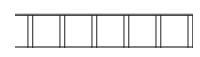
The dimensions are the minimum dimensions, unless otherwise stated.



Wall of combustible material



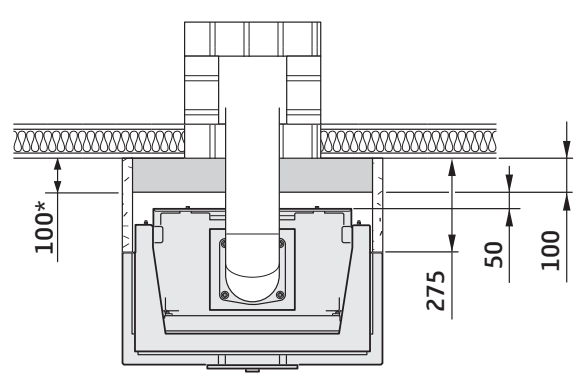
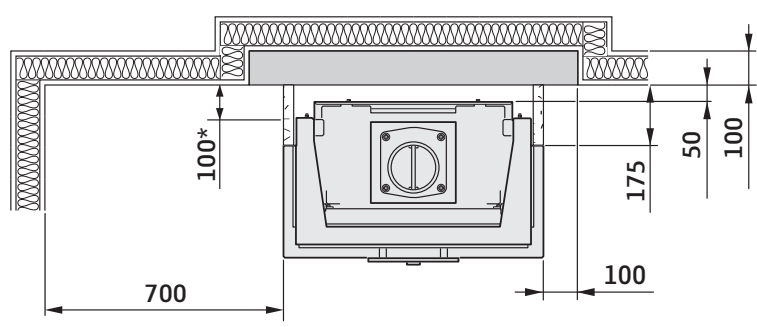
Wall of non-combustible material that is not in contact with combustible material and therefore has no minimum thickness requirement.



Chimney breast



Wall of non-combustible material, made of 100 mm aerated concrete in the recess example.

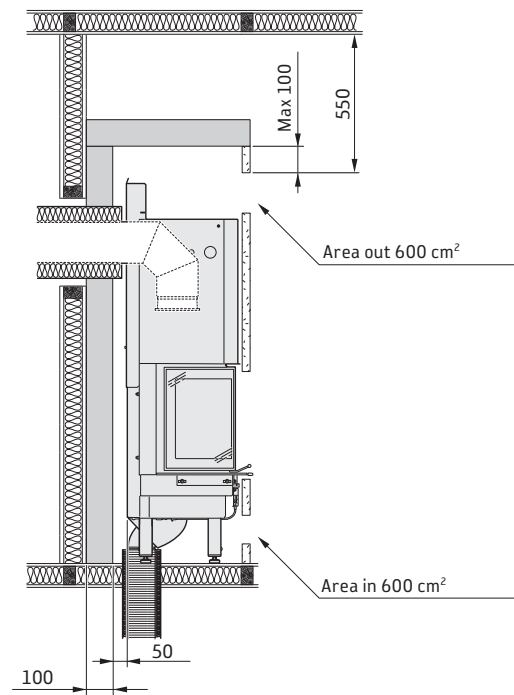
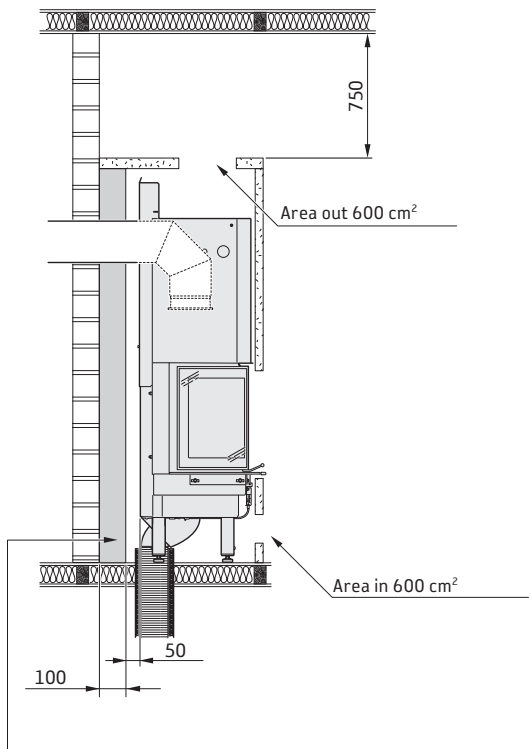
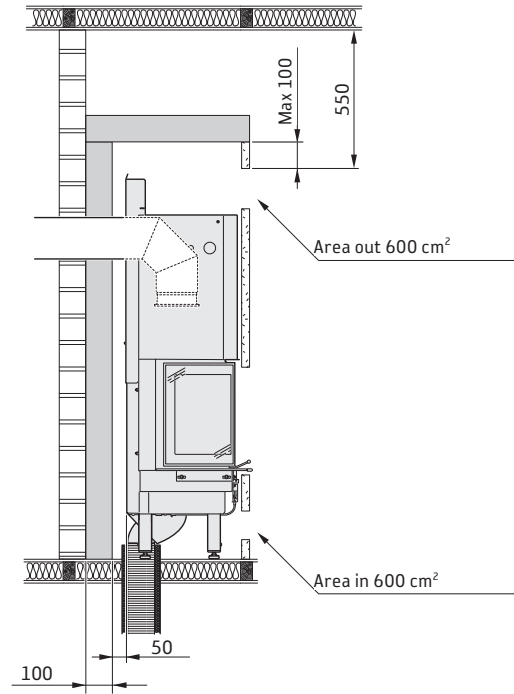
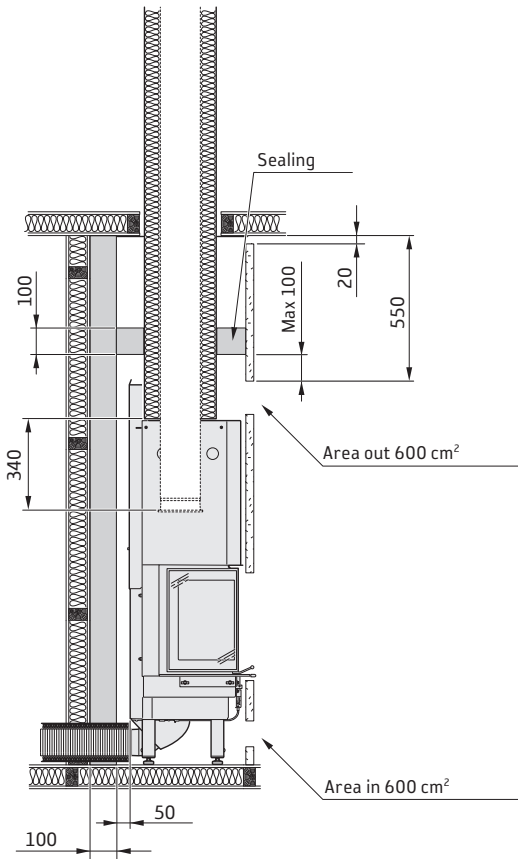


* The distance from the exhausts on the sides to the combustible wall behind must be 100 mm.

Final inspection of the installation

It is extremely important that the installation is inspected by an authorised inspection body before the stove is used. Also read the "Lighting instructions" before lighting for the first time.





Can be excluded if the chimney breast behind is approved and meets full safety requirements according to the authorized inspection body.



Always observe the safety distances to combustible material required by a steel flue



The dimensions are the minimum dimensions, unless otherwise stated.

811376 IAV SE-EX Ci50-1
2019-02-04

Contura

NIBE AB · Box 134 · 285 23 · Markaryd · Sweden
www.contura.eu

Contura reserves the right to change dimensions and procedures described in these instructions at any time without special notice. The current edition can be downloaded from www.contura.eu