



hwam  
5530

27.03.2020 / 97-9698  
[www.hwam.com](http://www.hwam.com)





## TABLE OF CONTENTS

TECHNICAL DATA .....	4
In general .....	4
Safety.....	4
Room requirements .....	4
Technical measures and data .....	4
Type plate and serial number .....	5
Floor plate .....	5
Requirements for chimney and flue duct .....	5
INSTALLATION AND CONNECTION .....	6
In general .....	6
Installation in rooms with non-combustible material .....	6
Installation in rooms with combustible material.....	6
Built-in example.....	7
Installation instructions.....	10

# TECHNICAL DATA

## In general

Congratulations on your new HWAM woodburning stove. We are pleased that you have chosen a HWAM woodburning stove and confident that it will give you much pleasure. To ensure optimum operation and safety, we recommend that the installation should be carried out by an authorised HWAM retailer or a fitter recommended by the retailer. For an overview of HWAM distributors, visit [www.hwam.com](http://www.hwam.com) under "Retailer locations".

## Safety

The installation of your HWAM woodburning stove must always comply with all European, national and local building regulations. The installation must be carried out in accordance with the instructions in the installation and user manuals and subsequently registered with the local authorities. Upon installation, the chimney sweep must approve the installation before you can start using the insert. All HWAM stove packaging material must be handled in accordance with local waste management regulations.

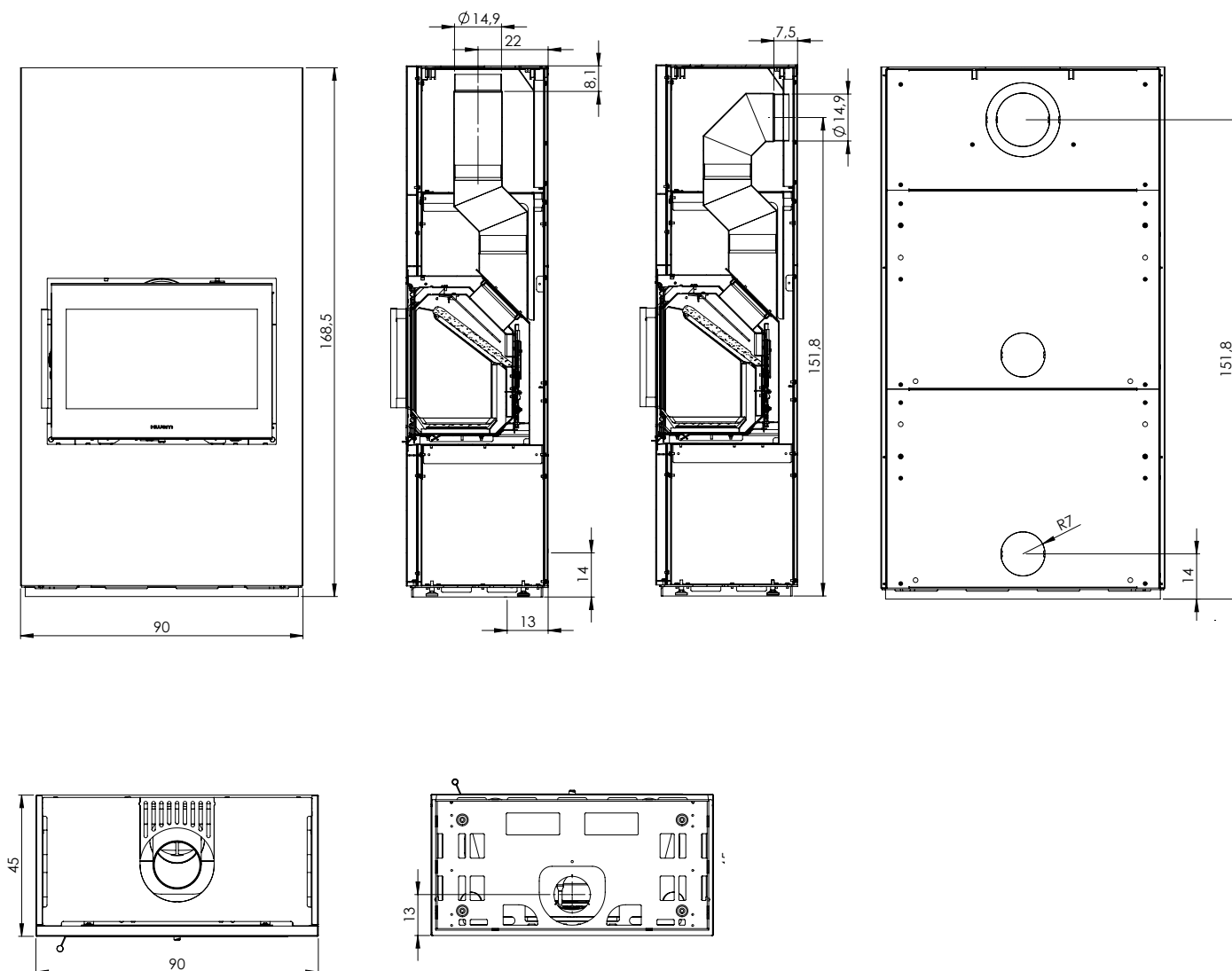
## Room requirements

Always ensure a supply of fresh combustion air to the room where the stove is to be installed. The insert uses approx. 12-19 m<sup>3</sup> of air per hour (depending on the setting of the air control lever). A window that can be opened or an adjustable air valve will be sufficient. It must not be possible to block the adjustable air valve/grate. In newly built/airtight dwellings, we recommend that a fresh air system should be installed for the direct supply of external air to the combustion. This fresh-air system may be bought separately.

Before installing the stove, you must ensure that the load-bearing capacity of the floor can withstand the weight of the stove and the chimney. The weight of the chimney should be calculated according to its dimensions and height.

Please be aware that not all glass parts are heat-resistant. For this reason, a glass wall should sometimes be treated as a flammable wall, in which case we ask you to contact your local chimney sweep or glass producer to hear at what distance the insert should be kept from glass.

## Technical measures and data





## Requirements for chimney and flue duct

The height of the chimney must ensure sufficient draught and prevent any smoke nuisance. As a general rule, satisfactory draught conditions are achieved if the chimney is 4 m above the stove and at least 80 cm above the ridge. If the chimney is placed at side walls, the top of the chimney should always be higher than the ridge or the tallest point of the roof. Always be aware of any national and/or local regulations applying to thatched roofs and the location of the chimneys.

The insert requires a minimum draught of 11 Pa (measured at EN 13240 measurement point). If measured just above the smoke flue socket, the chimney draught must be 18-20 Pa.

The chimney must have a minimum clearing of Ø 150 mm. The chimney must be provided with an easily accessible cleaning door. The chimney and flue duct must be of flue class T400 and be CE marked. Furthermore, it must have obtained the classification of G in soot fire testing. The required distance to combustible material must be complied with in accordance with the brand label. Ask your HWAM retailer for further information.

## INSTALLATION AND CONNECTION

### In general

If the stove is to be connected to a fresh air system (optional accessory), the fresh air system must be built into the floor or wall before the wood-burning stove is installed. Do not place heat-storing stone (optional accessories) in the heat compartment until the wood-burning stove has been installed.

A plate can be purchased for weight distribution / reinforcement of the floor (optional accessory), if required due to the weight of the wood-burning stove and any acquired heat-storing stone.

### Installation in rooms with non-combustible material

When installing the wood-burning stove up against a non-combustible wall, there are no requirements on the distance to the back or the side of the stove. The general distance requirements appear from the illustrations below.

### Installation in rooms with combustible material

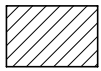
When installing the wood-burning stove against a combustible wall, the current distance requirement from the combustible wall to the flue duct must be observed. We recommend looking into the safety distance demands for the chosen flue duct solution before deciding on the final placement of the wood-burning stove.

The minimum distance requirements to combustible materials appear from the chart below and the illustrations on the following three pages.

No. shown in illustration	Min. distances - <u>insulated flue gas pipe</u> :	HWAM 5530
1.	To non-combustible wall, back, cm	0
2.	To non-combustible wall, side, cm	0
1.	To combustible wall, back, cm	0
2.	To combustible wall, side, next to the stove, cm	0
2.	To combustible wall, corner installation (45°), cm	0
3.	Distance to furnishings in front, cm	120
4.	To combustible wall, side, in front of the stove, cm	35
5.	To fireproof wall, side, in front of the stove, cm	18.5
6.	Length of fireproof wall to the front of the stove, cm	70
7.	From floor to combustible ceiling, cm	220

No. shown in illustration	Min. distances - <u>uninsulated flue gas pipe</u> :	HWAM 5530
1.	To non-combustible wall, back, cm	0
2.	To non-combustible wall, side, cm	0
1.	To combustible wall, back, cm	5
2.	To combustible wall, side, next to the stove, cm	0
2.	To combustible wall, corner installation (45°), cm	0
3.	Distance to furnishings in front, cm	120
4.	To combustible wall, side, in front of the stove, cm	35
5.	To fireproof wall, side, in front of the stove, cm	18.5
6.	Length of fireproof wall to the front of the stove, cm	70
7.	From floor to combustible ceiling, cm	220

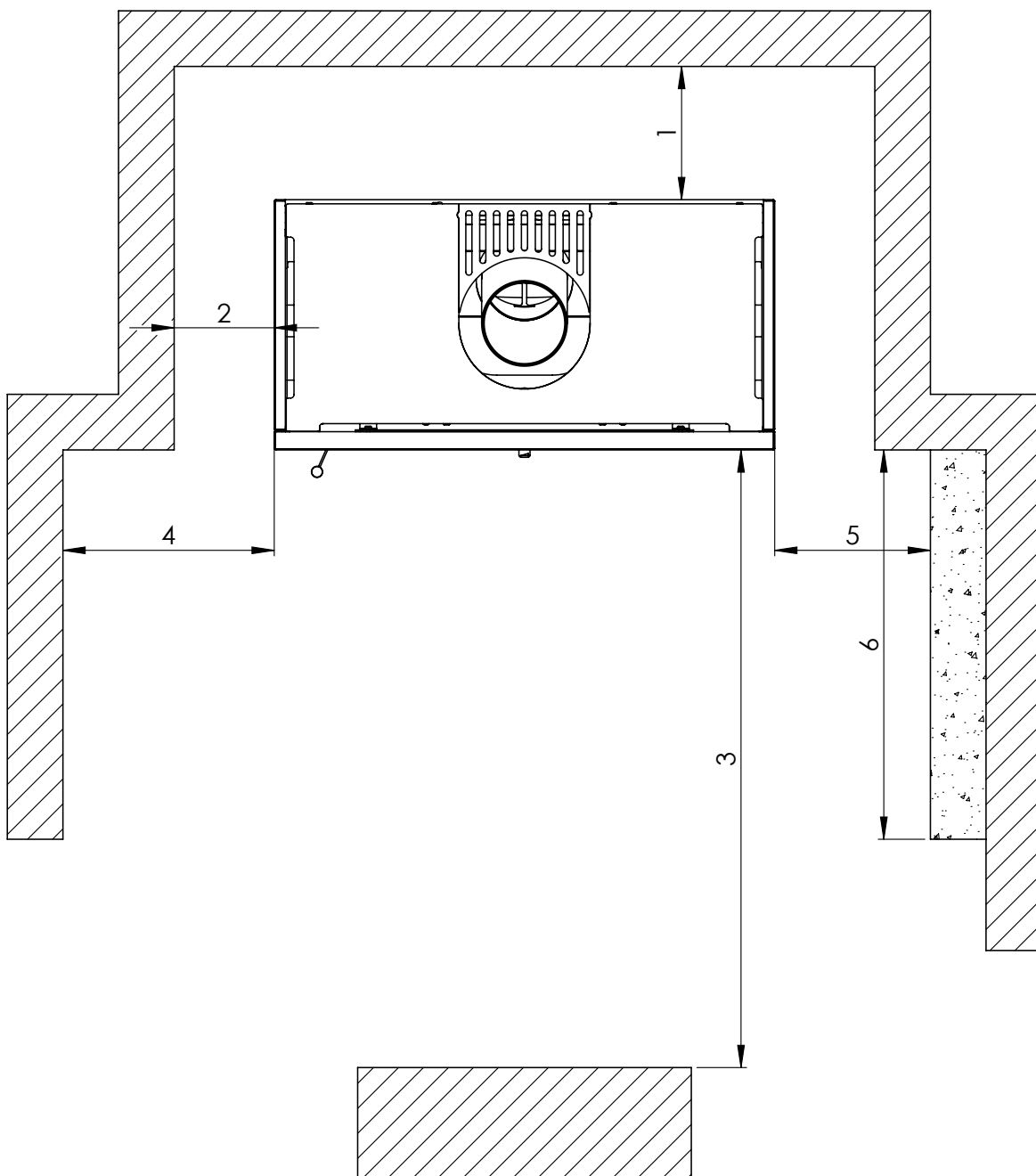
# Illustrations regarding distance requirement



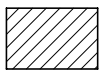
Combustible material



Fire wall - min. 50 mm Calcium Silicate



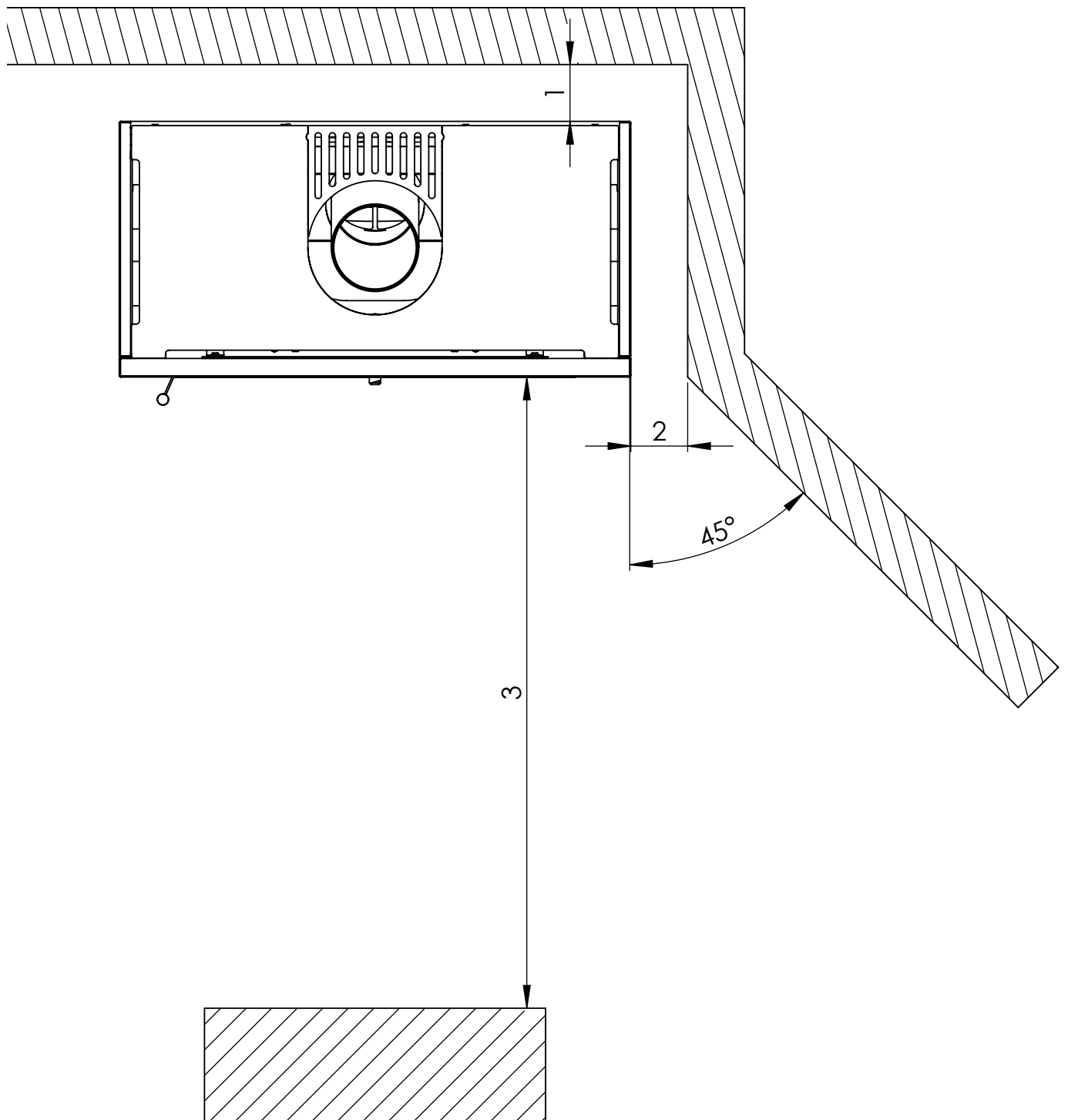
# Illustrations regarding distance requirement



Combustible material

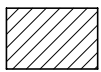


Fire wall - min. 50 mm Calcium Silicate





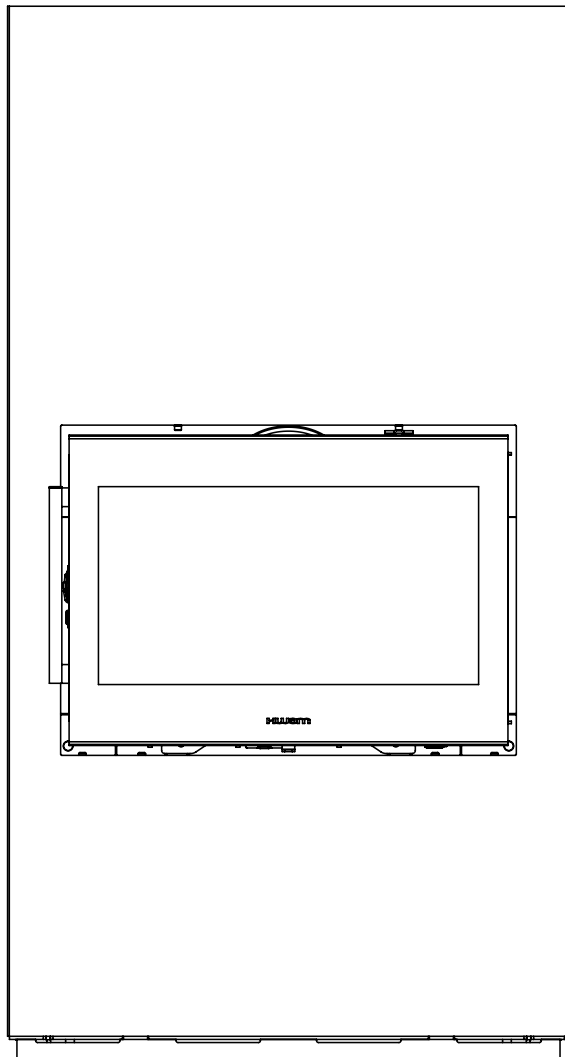
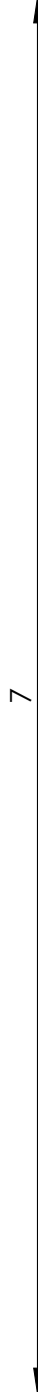
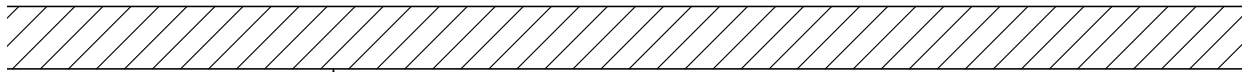
# Illustrations regarding distance requirement



Combustible material



Fire wall - min. 50 mm Calcium Silicate

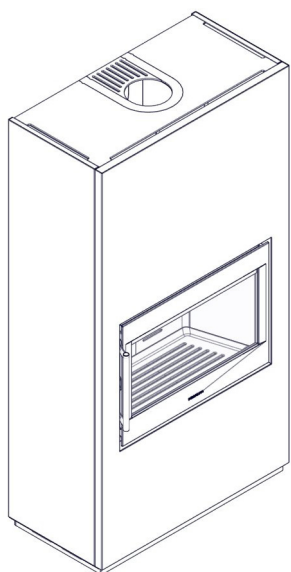


### Installation instructions

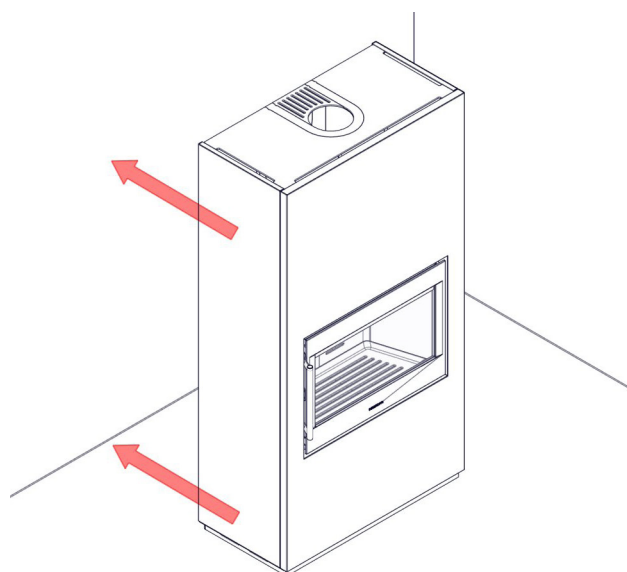
Install the wood-burning stove as shown in the following illustrations. Before starting the installation, any preparations for the installation of a fresh-air system as well as any reinforcement of the floor must be carried out.

Procedure for top outlet connection:

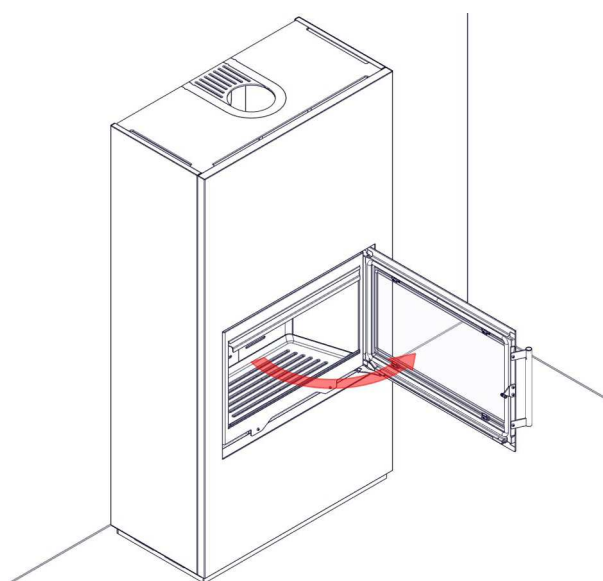
1



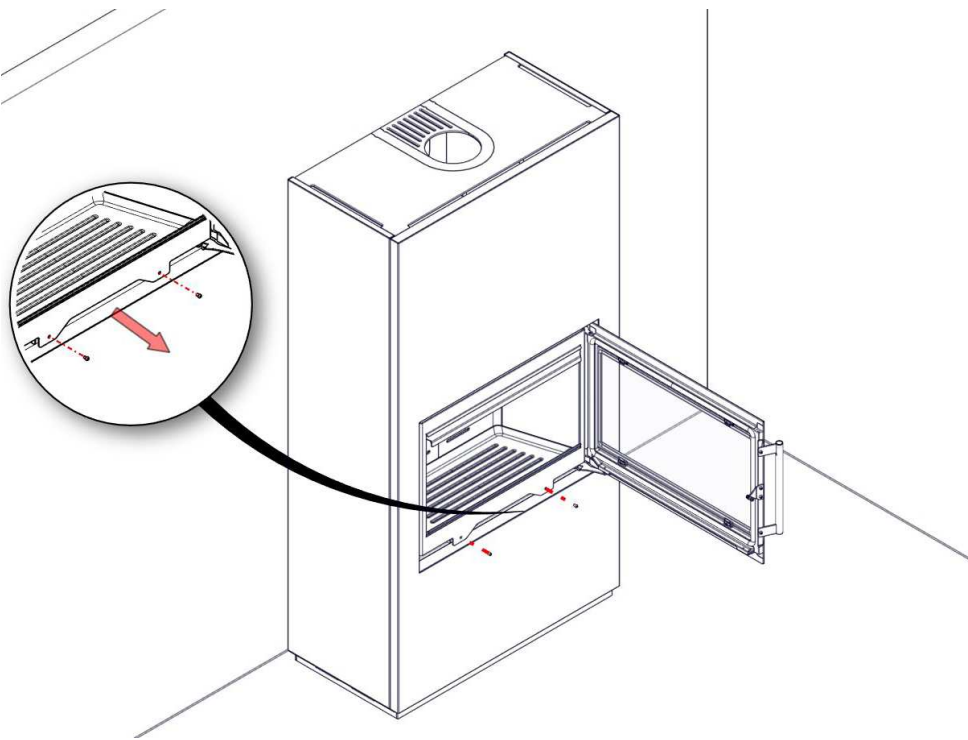
2



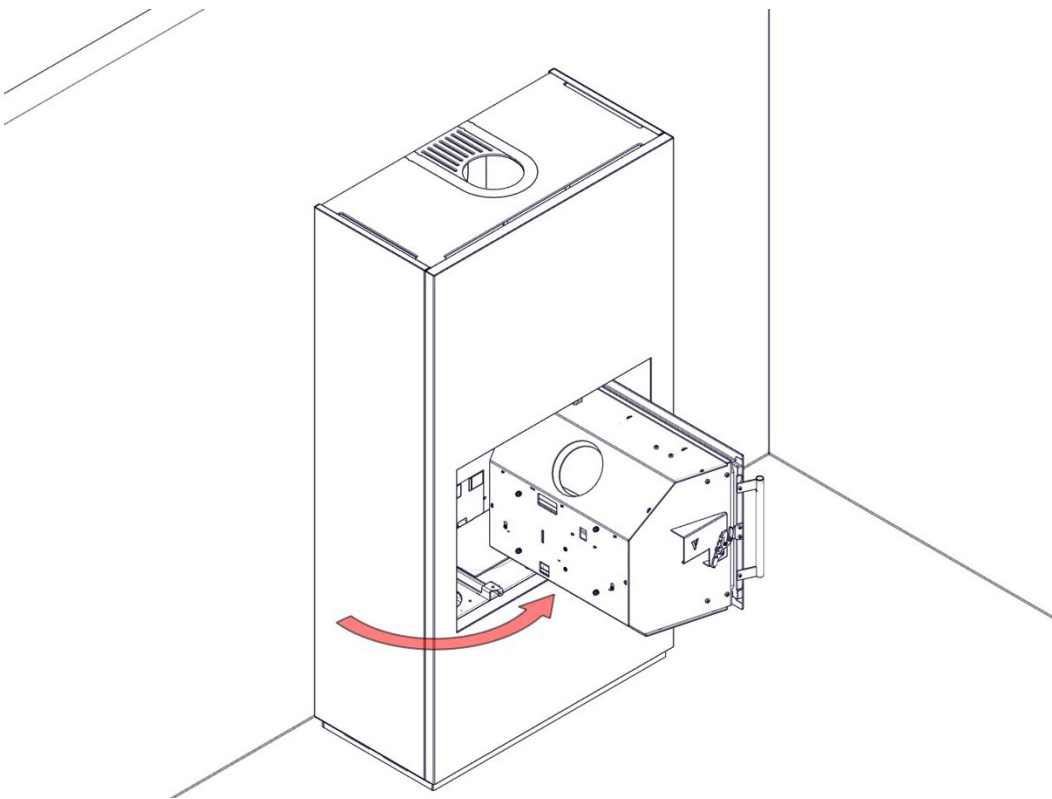
3



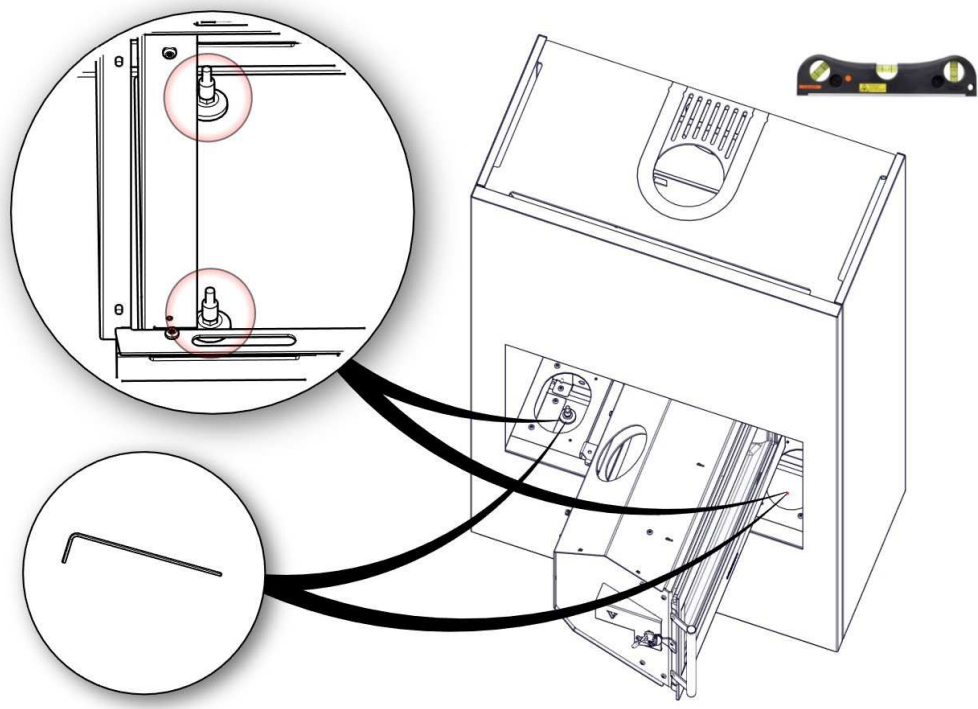
4



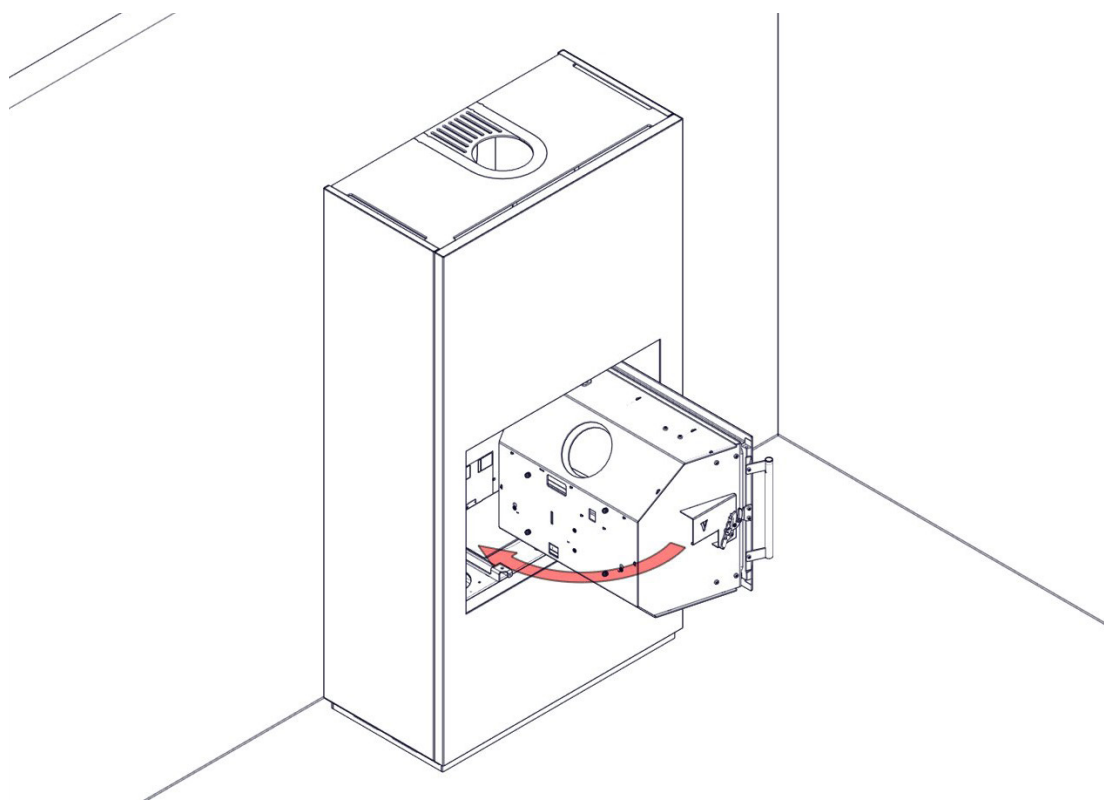
5



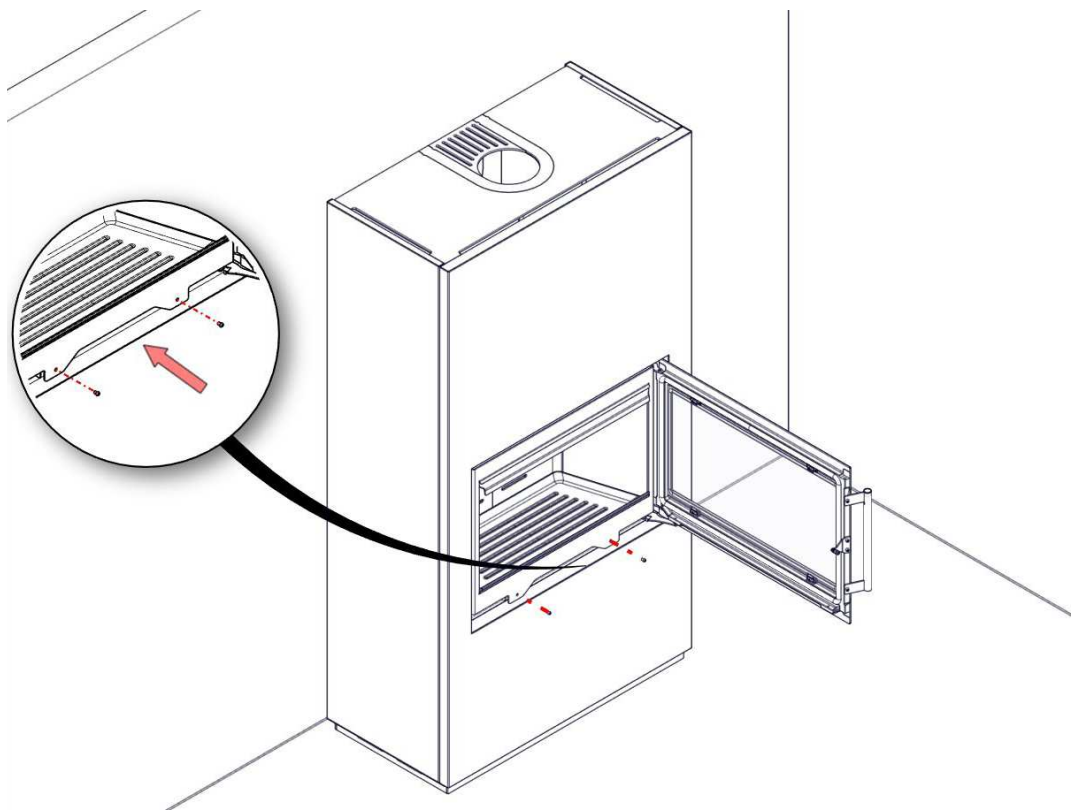
6



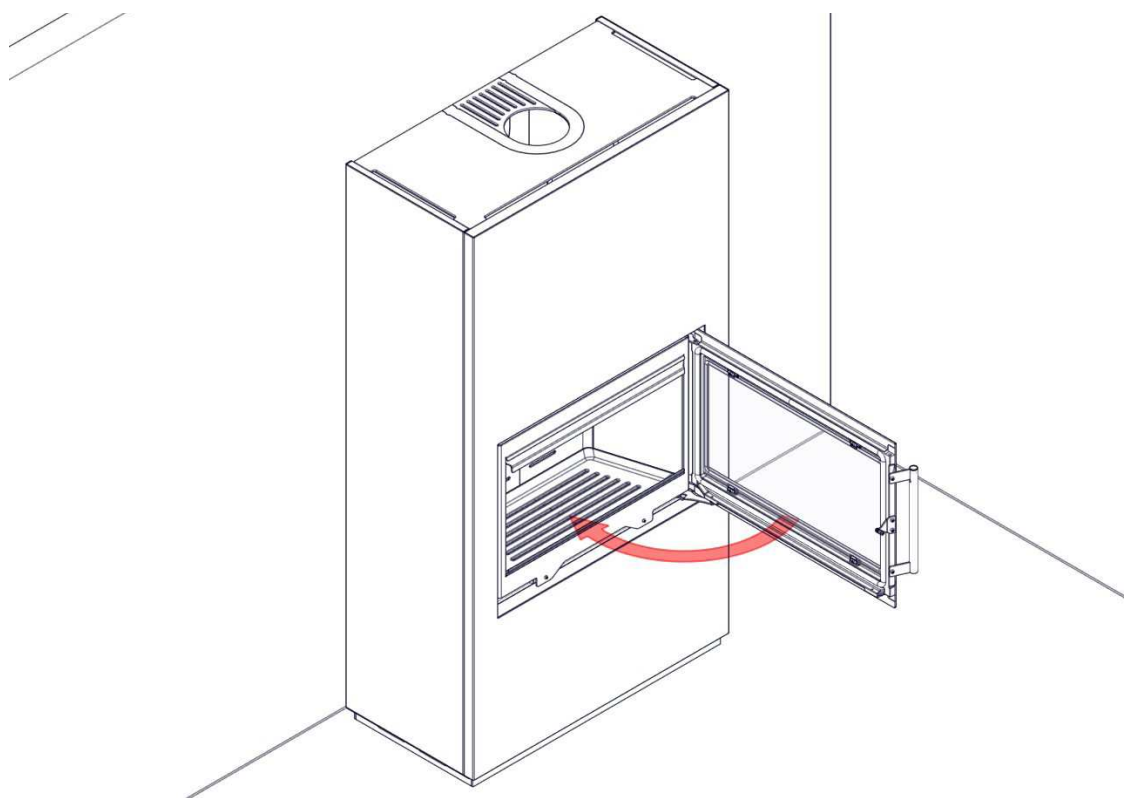
7



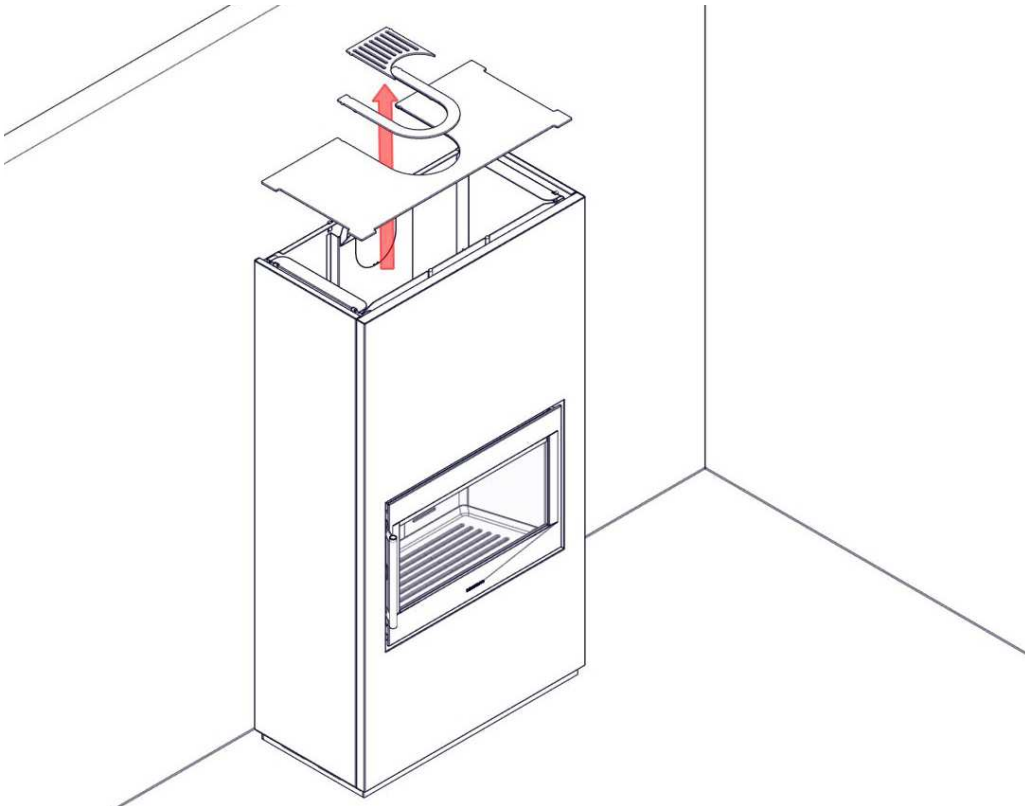
8



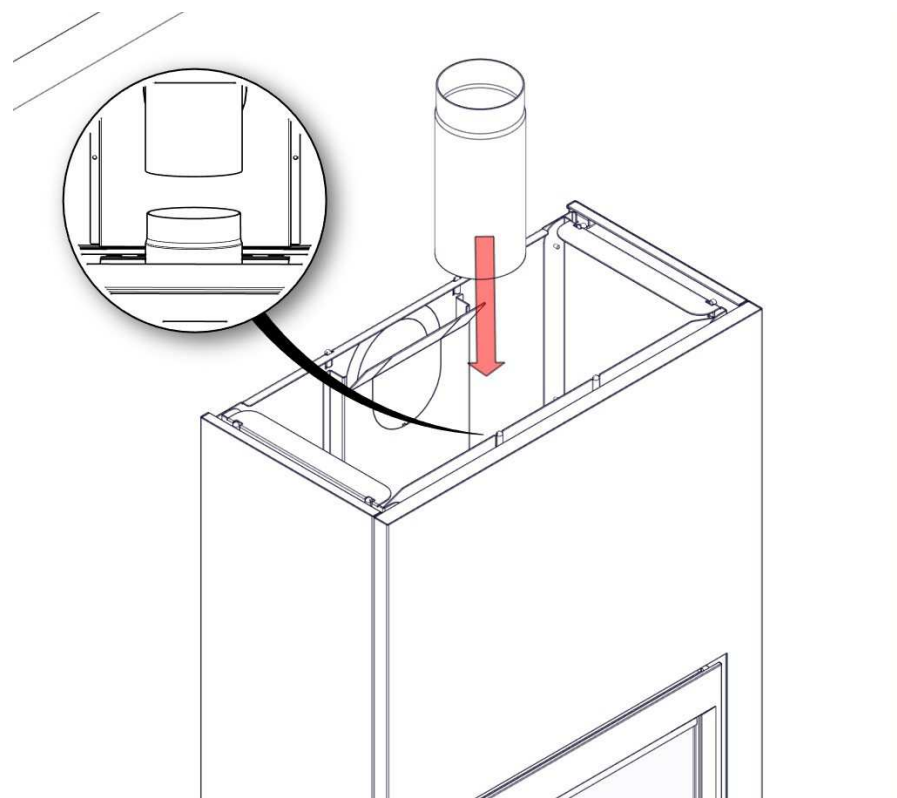
9



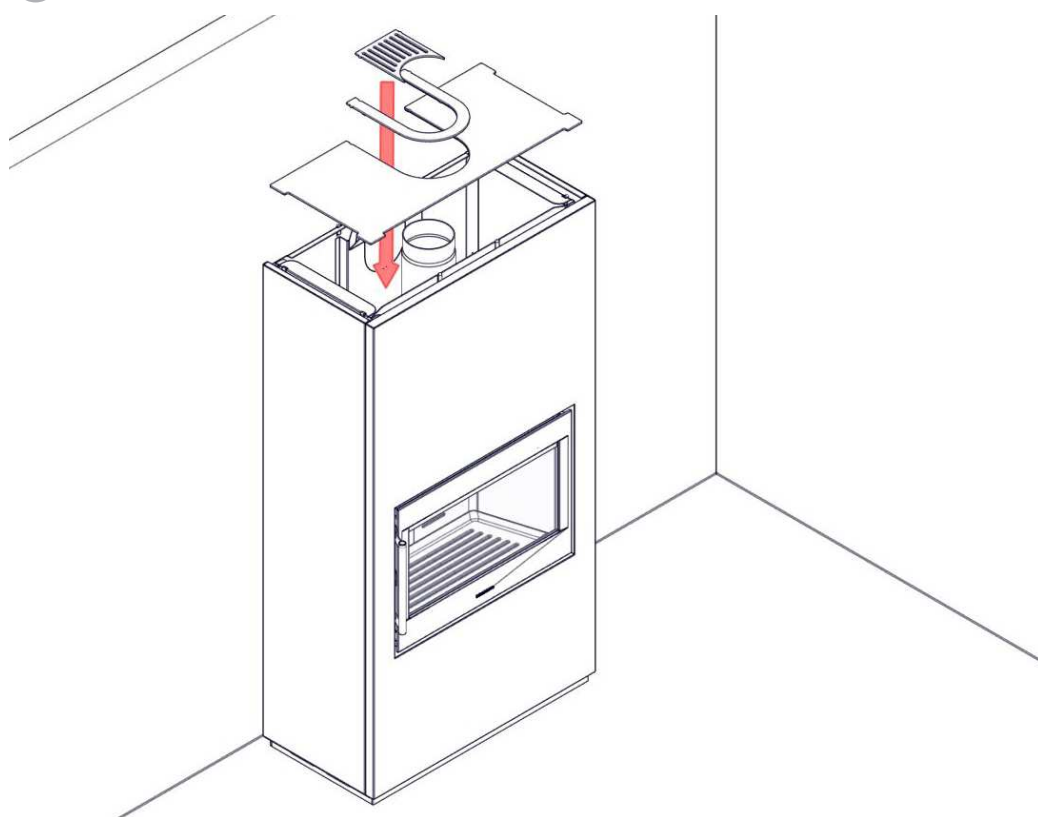
10



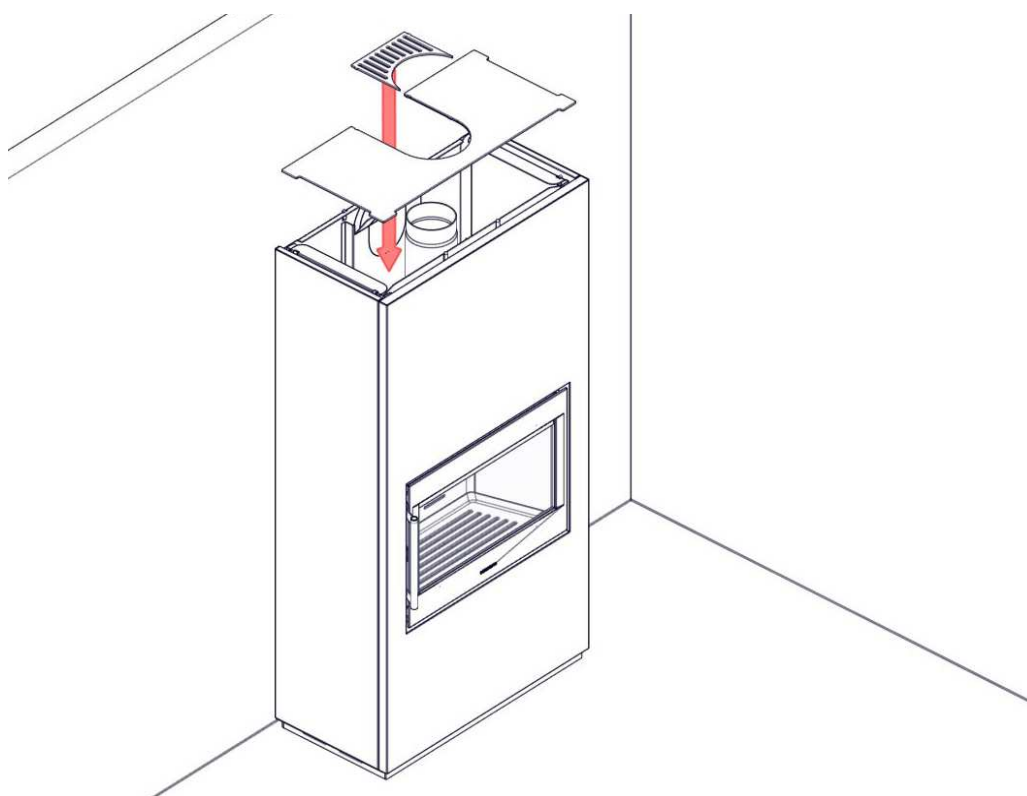
11



12 For flue duct installation without insulation:

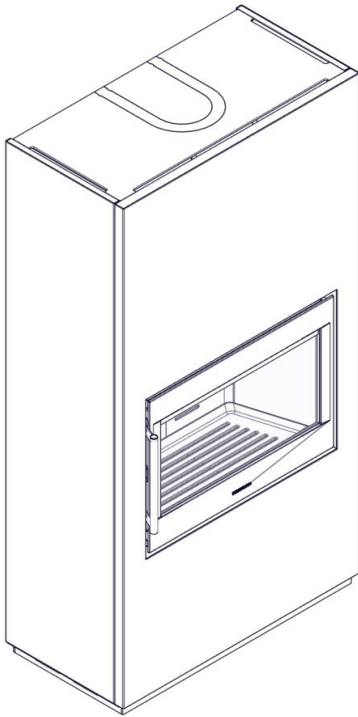


13 For flue duct installation with insulation:

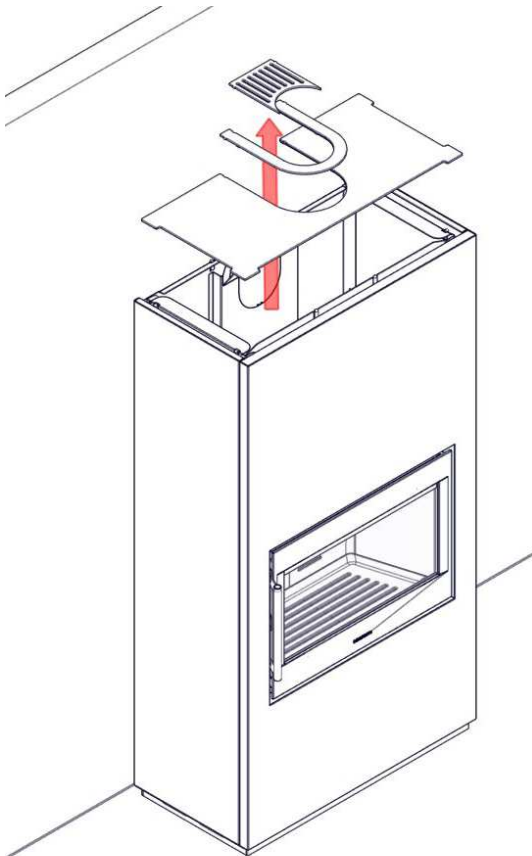


Procedure for rear outlet connection:

1

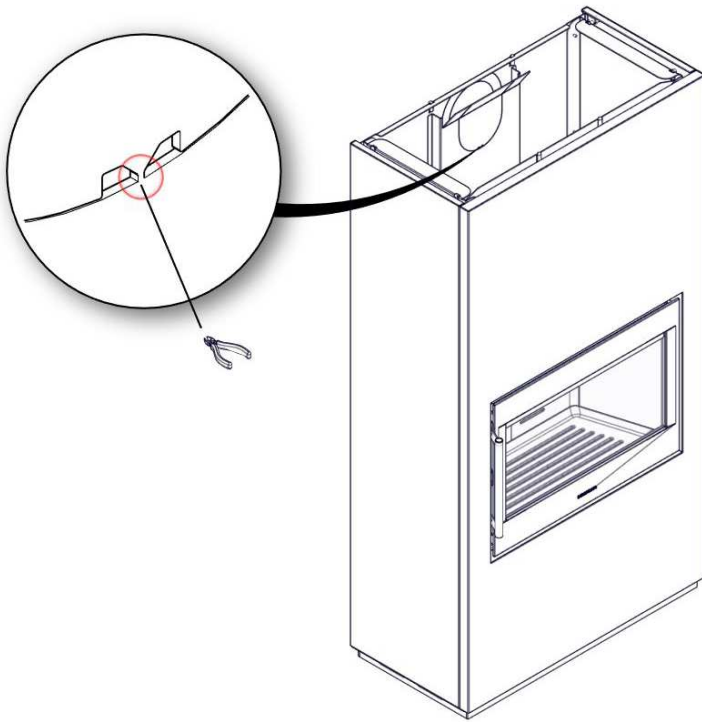


2

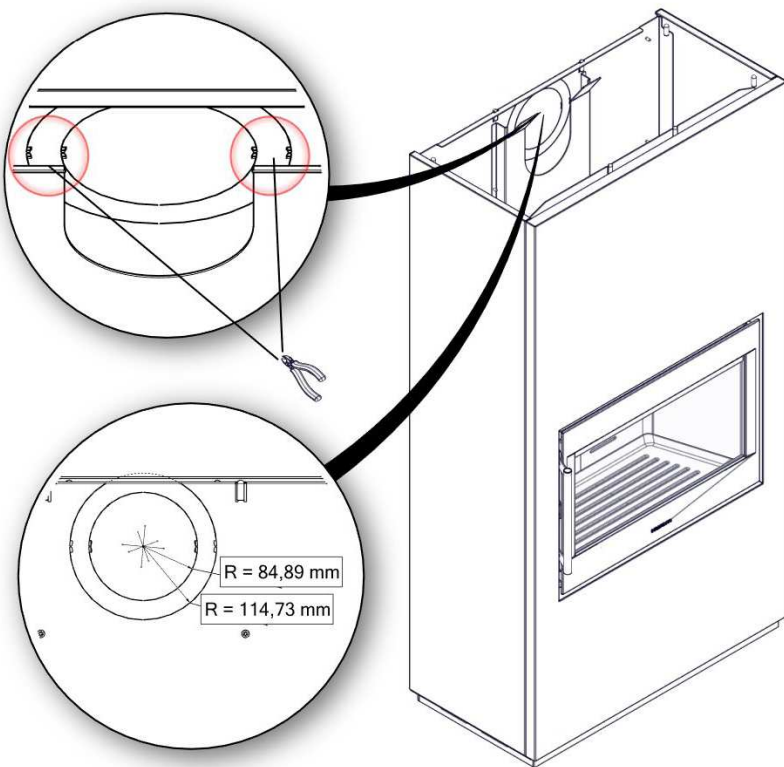




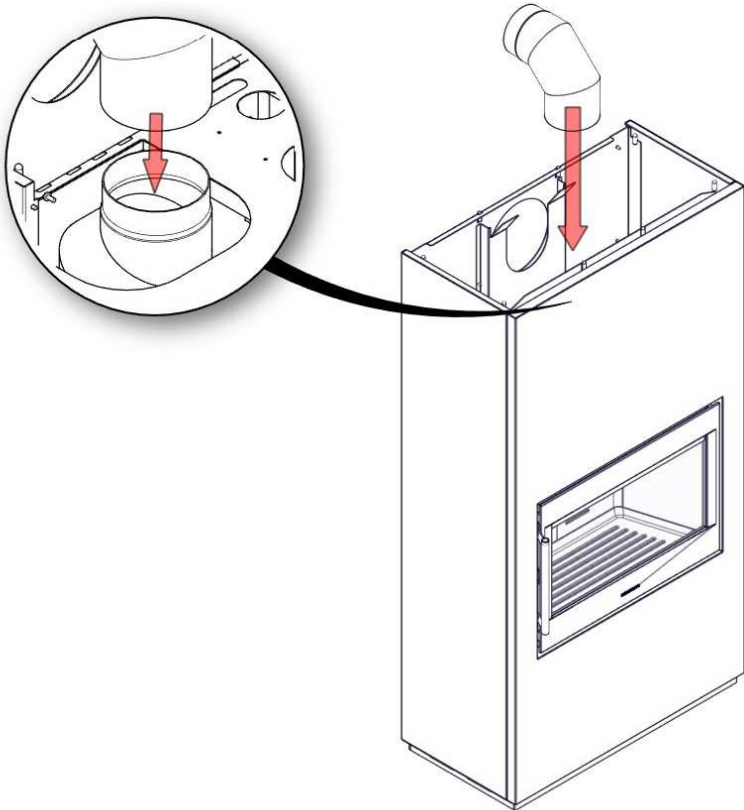
3



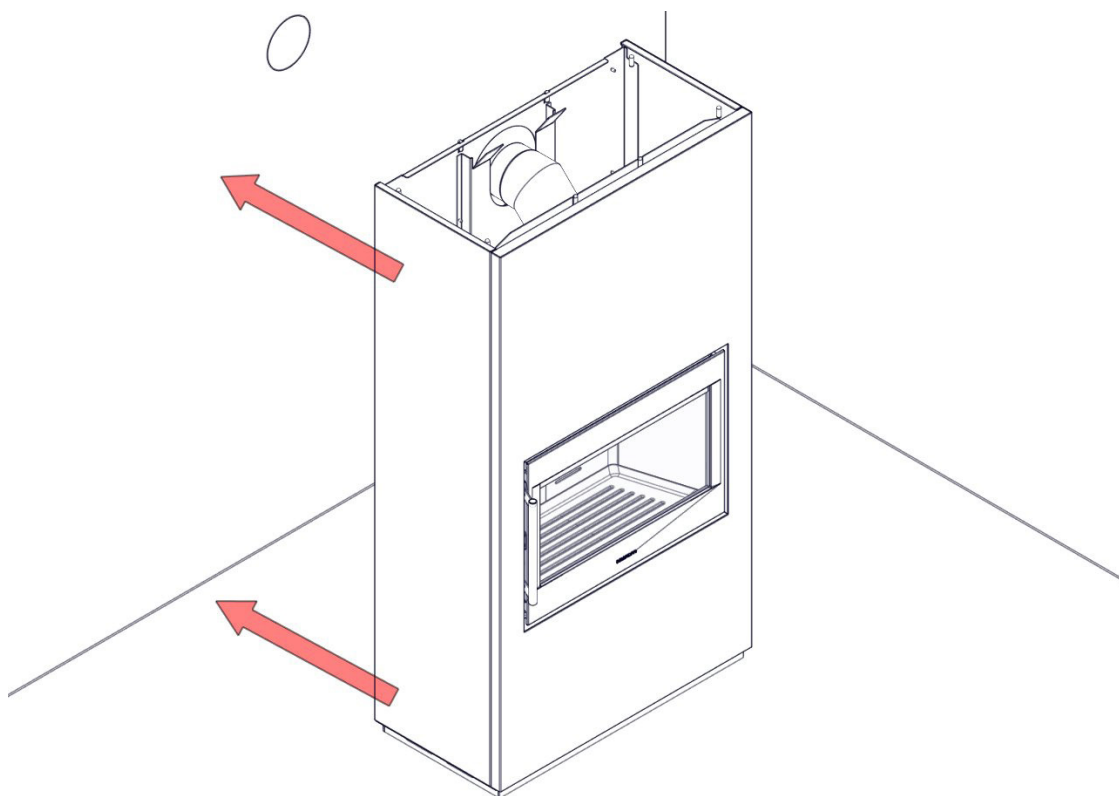
4



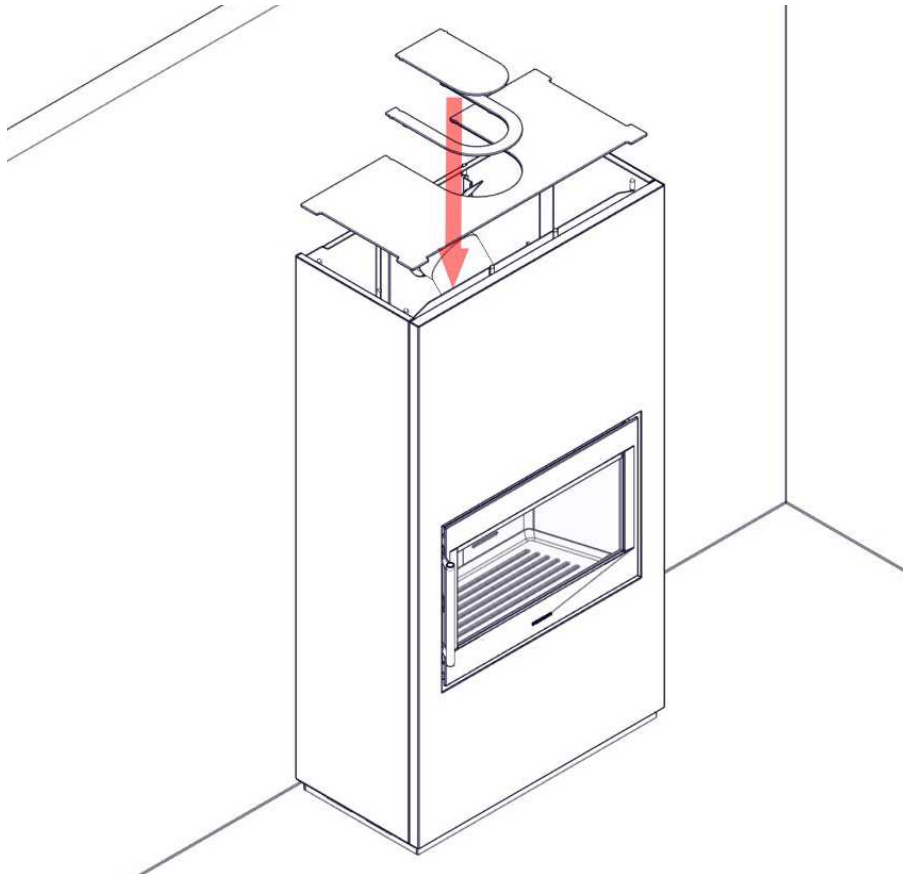
5



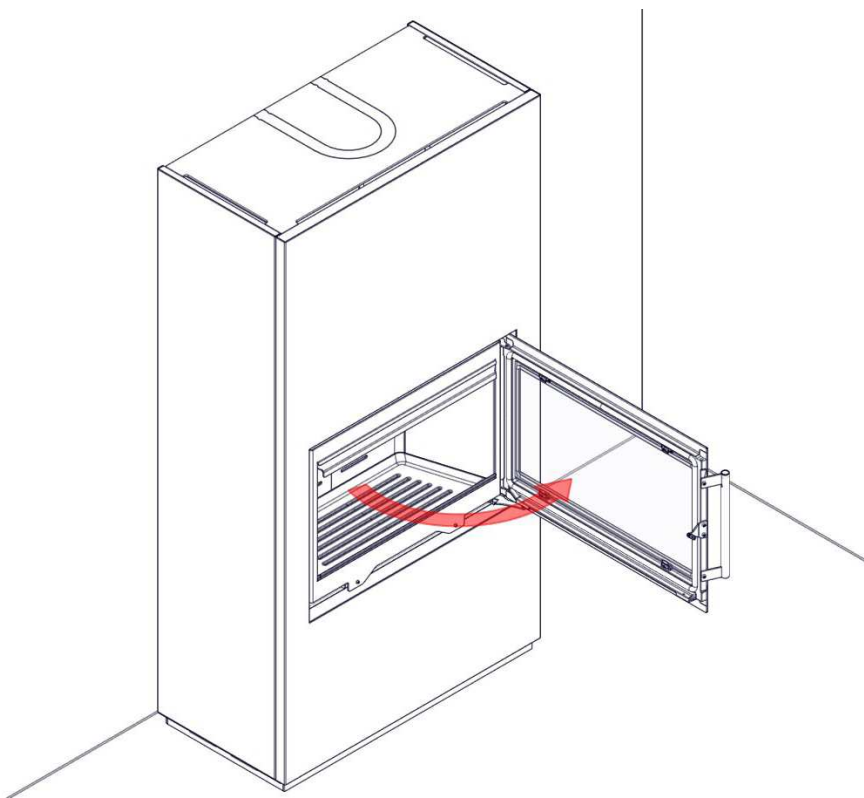
6



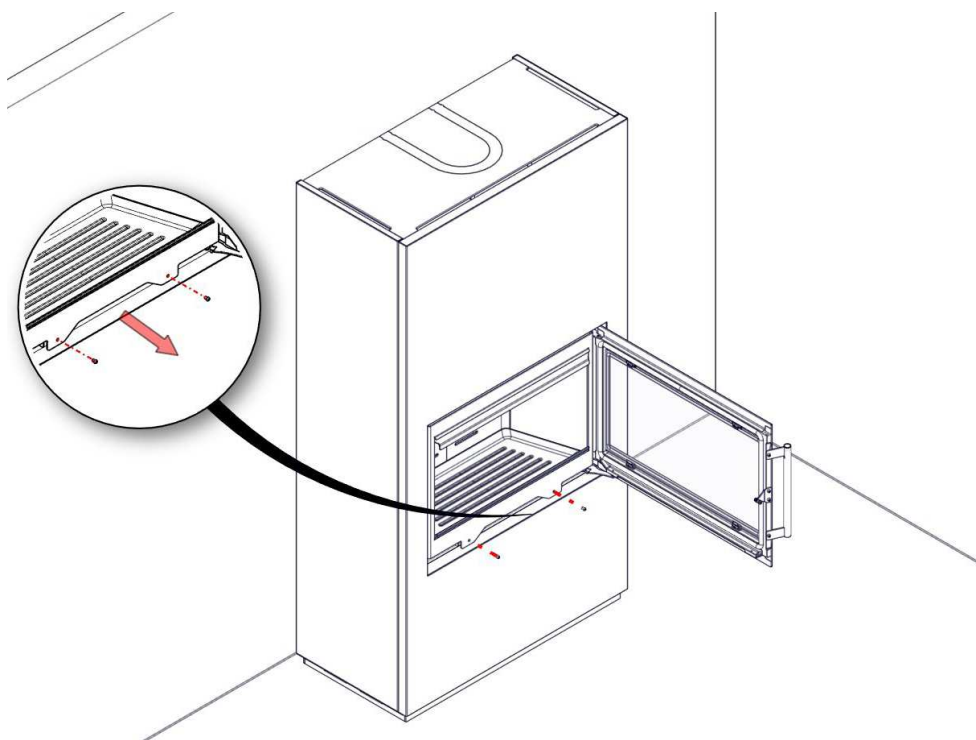
7



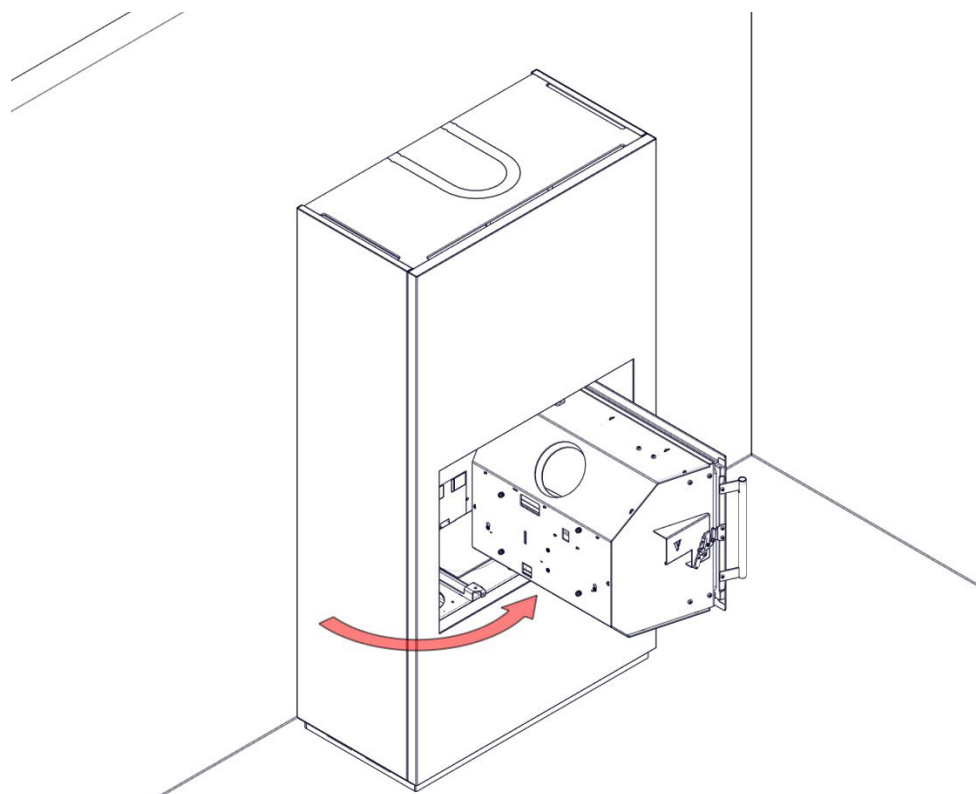
8



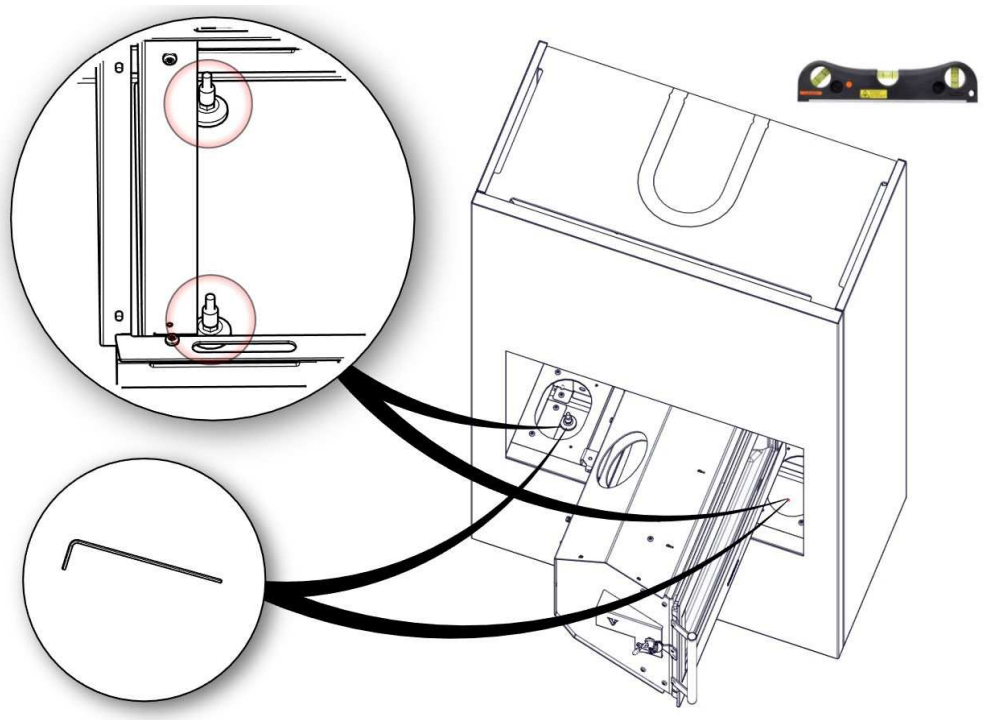
9



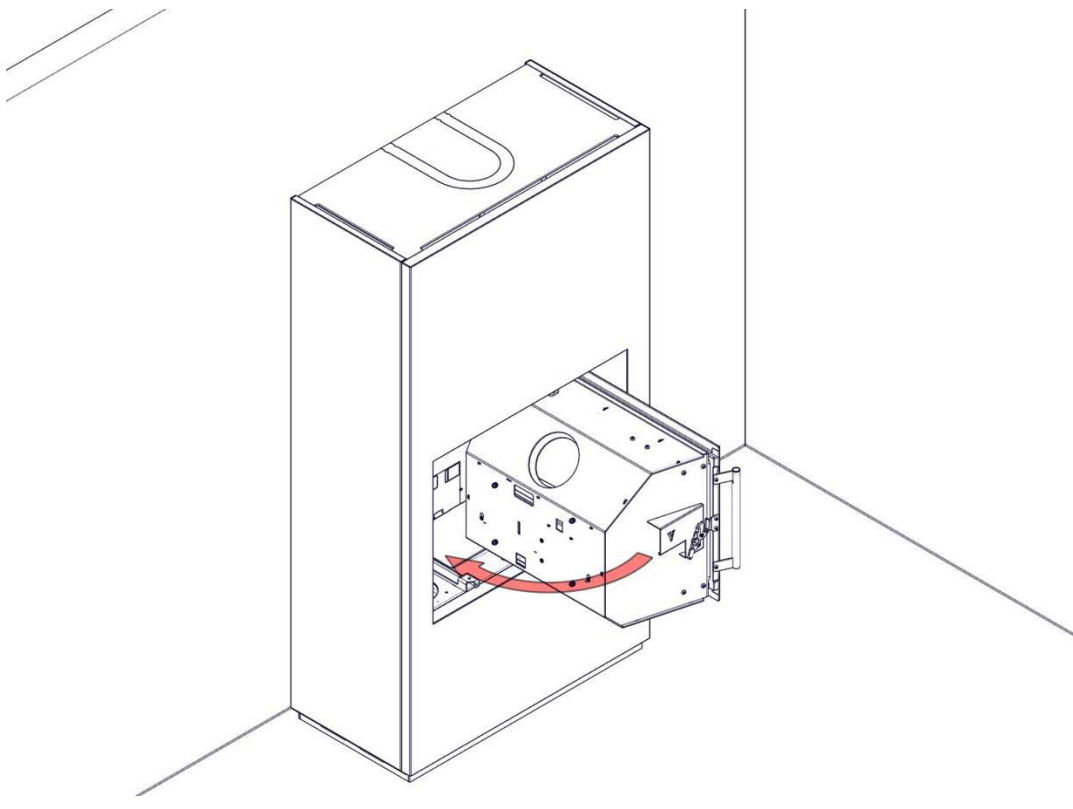
10



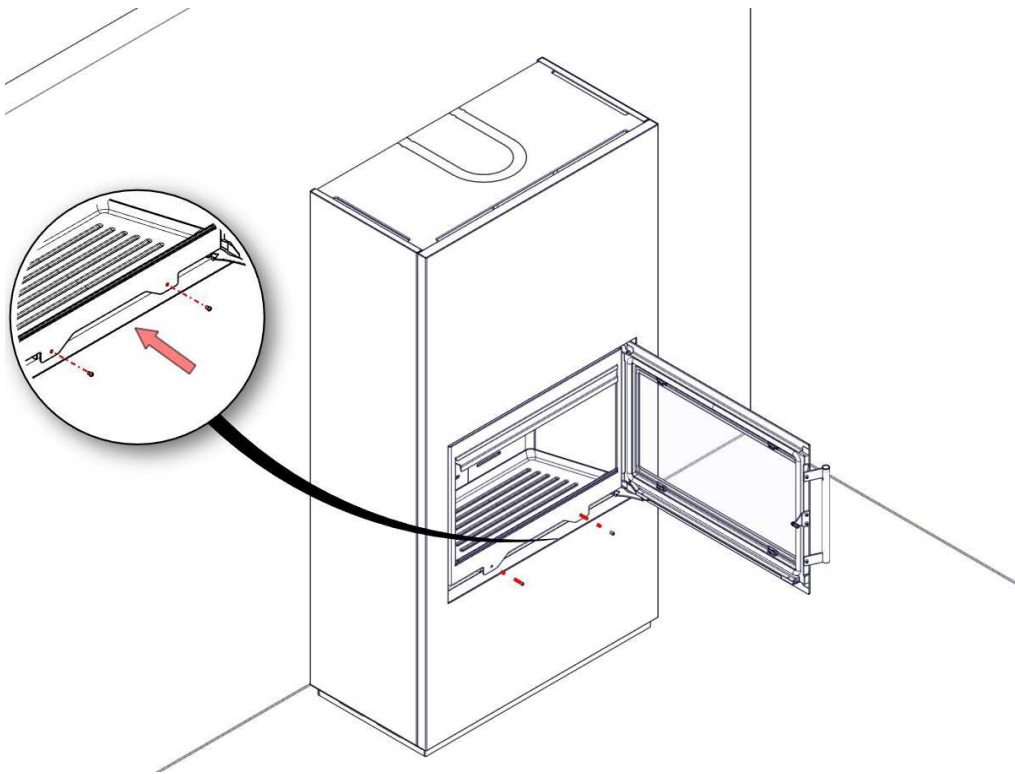
11



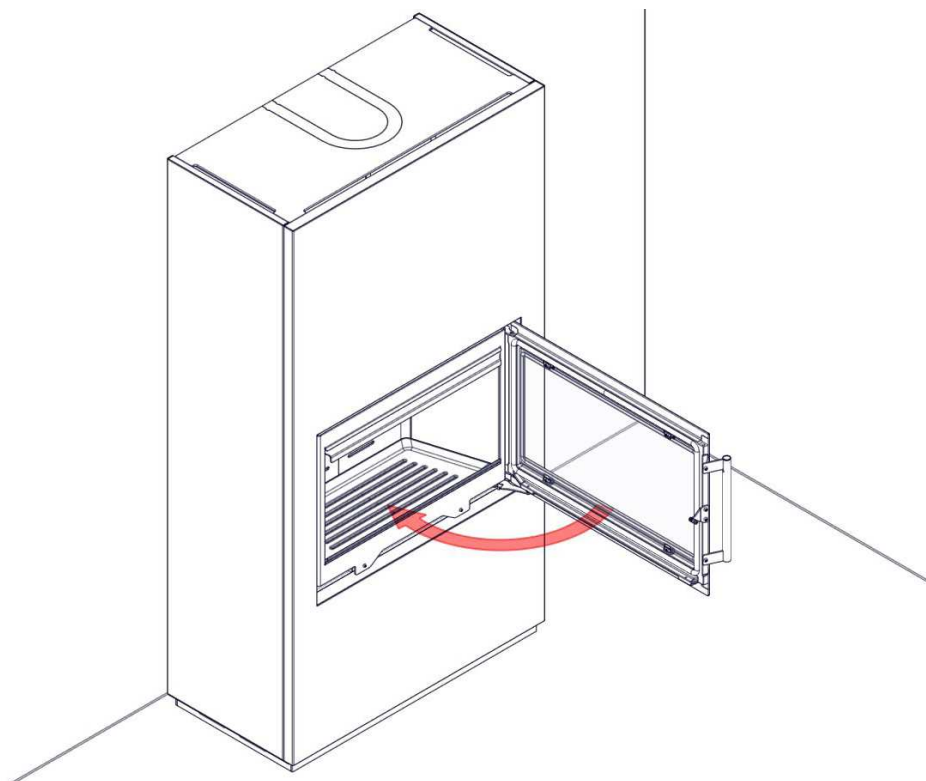
12



13



14



15

