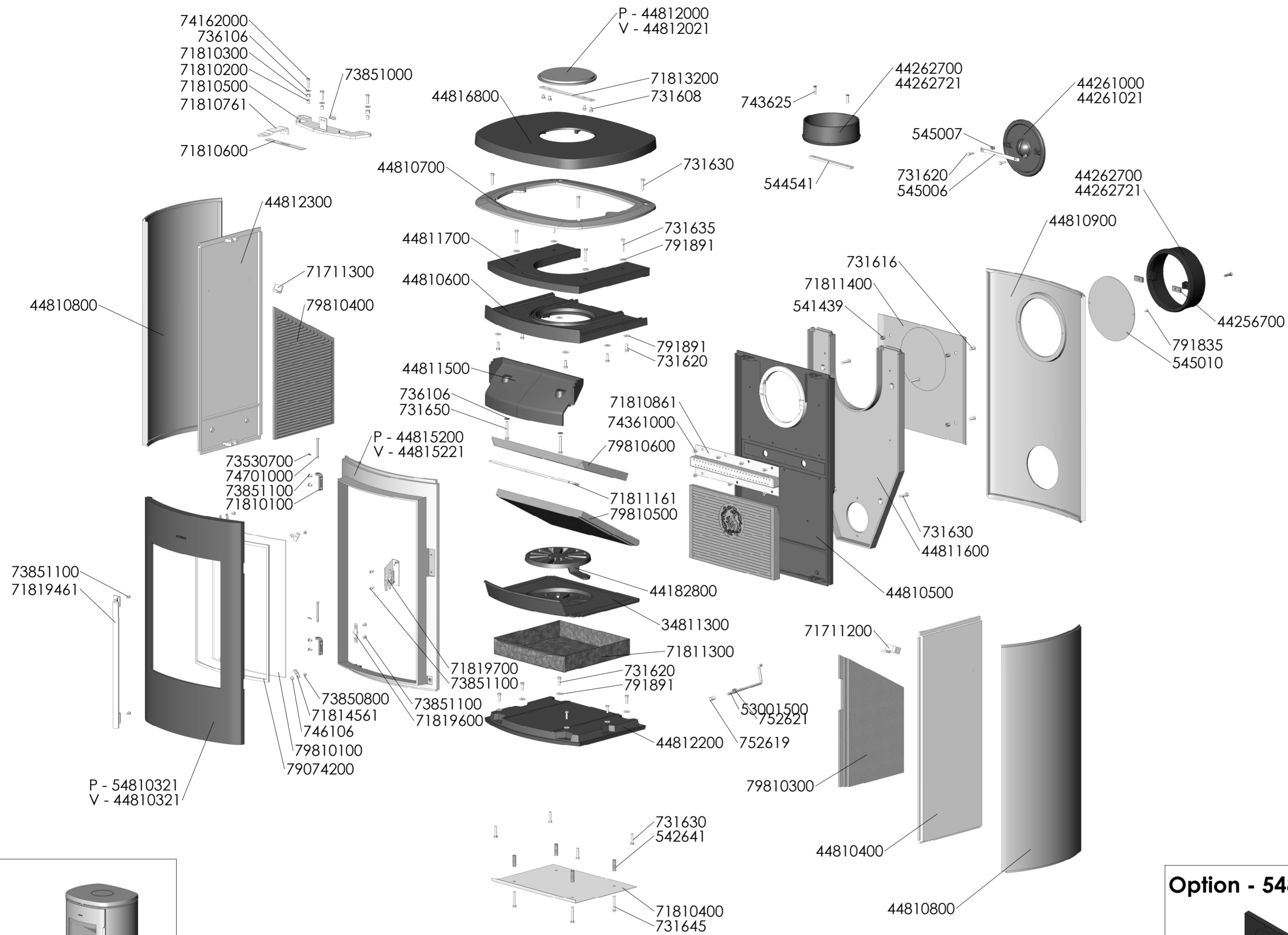
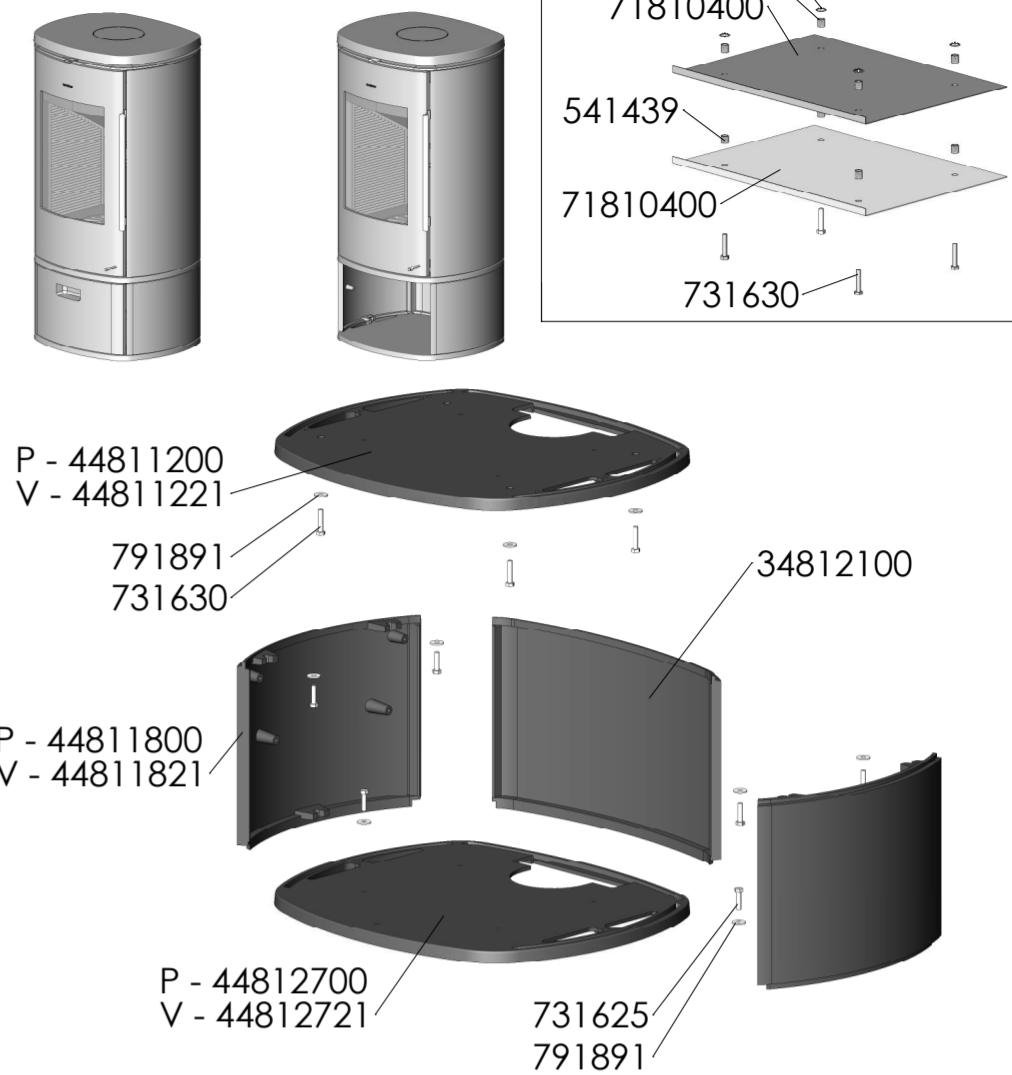


Basis brændekammer



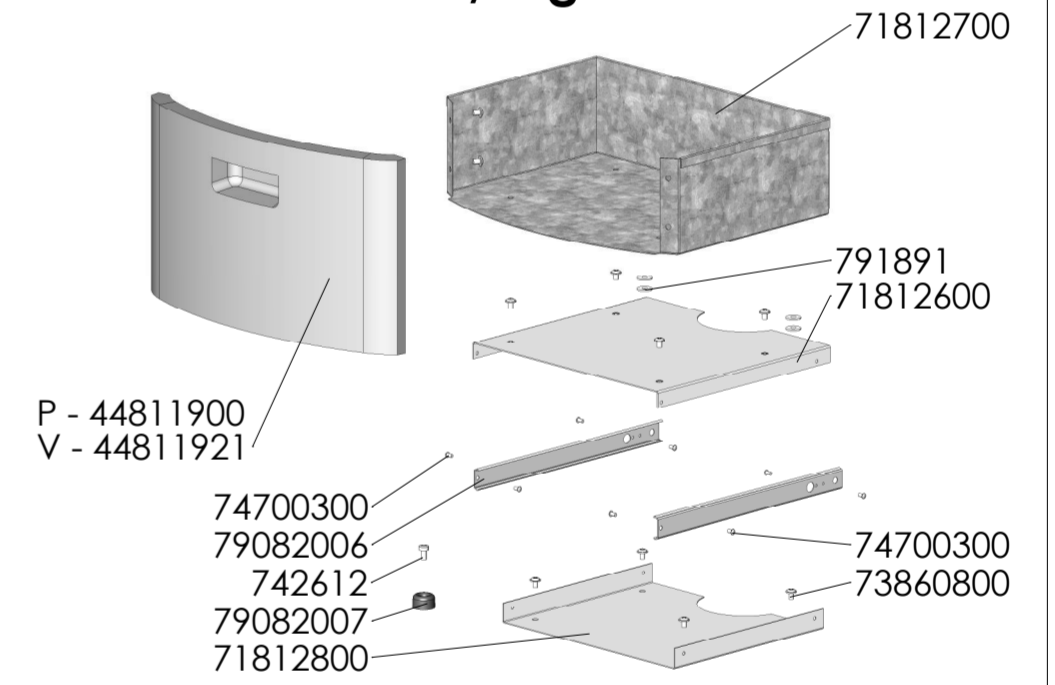
8842

8843

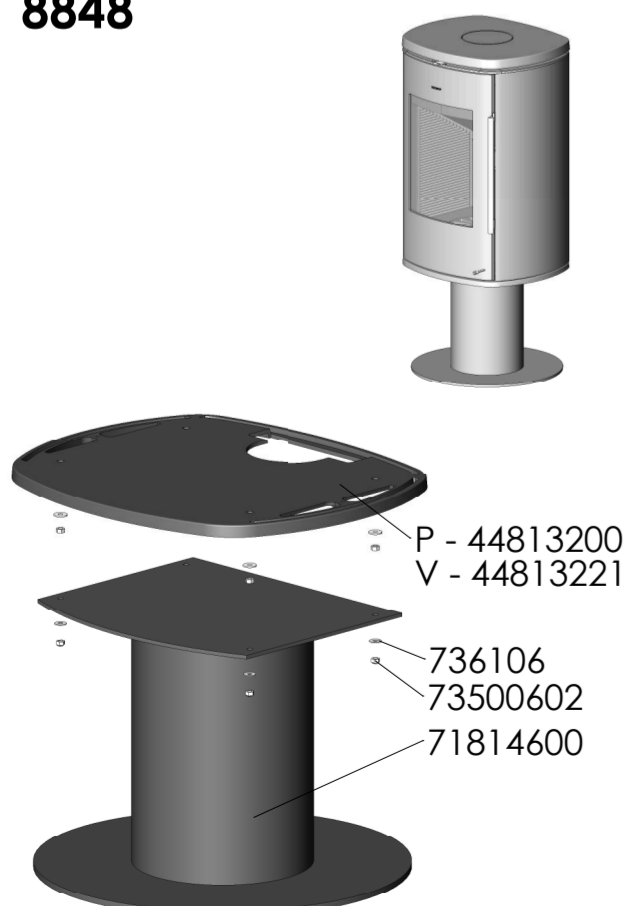


NA

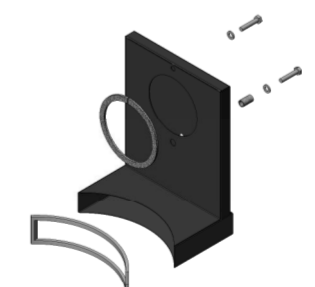
8100 Skuffesektion/Log drawer



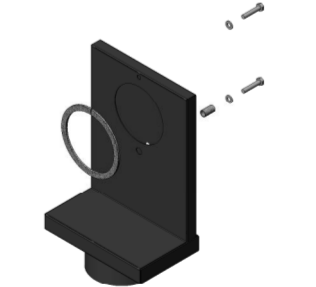
8848



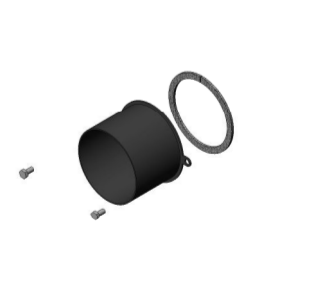
Option - 54818721



Option - 54818621



Option - 54798121



Rev. Revisions		Sign.:	Date:
Title:		Construction:	TOL 28.05.2015
Material:		Released:	
Weight:		Format:	A2
Model no.:		Scale:	-
Drawingtype: Exploderet tegning		Itemno.:	
Location of file: C:\Working\8100 Samling\8100.DWG		Drawing no.: 8100-505 a	

Date of print: 10-06-2015