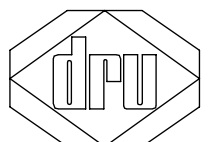
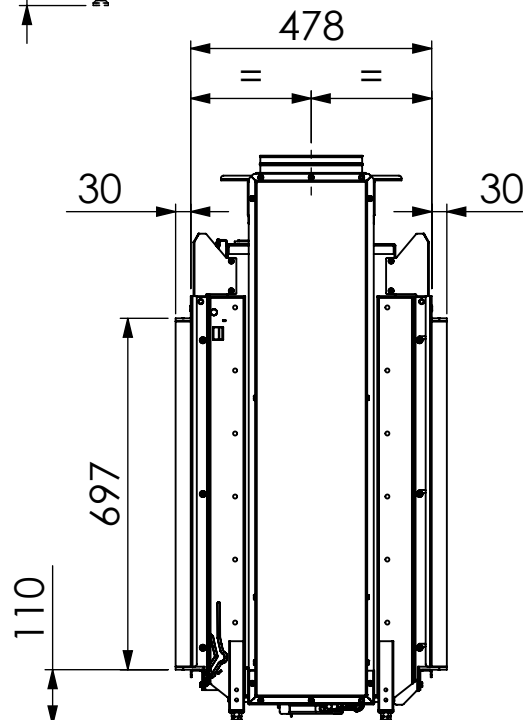
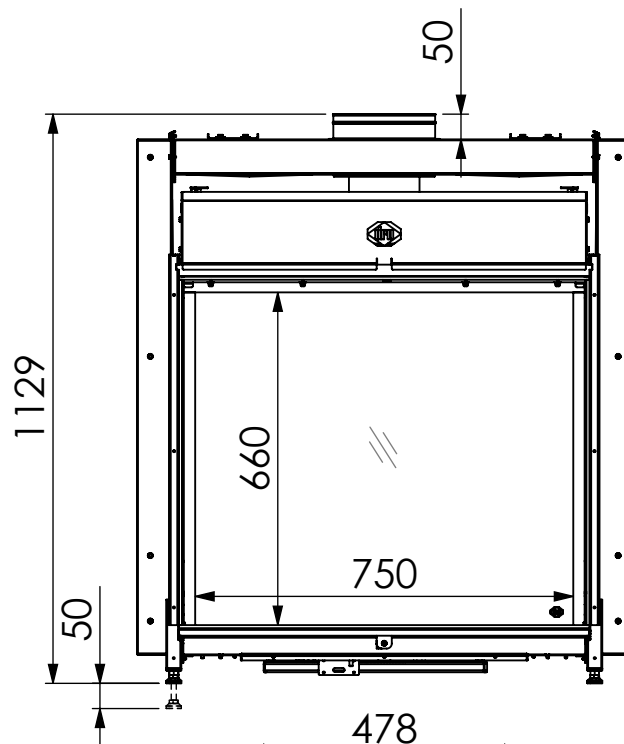
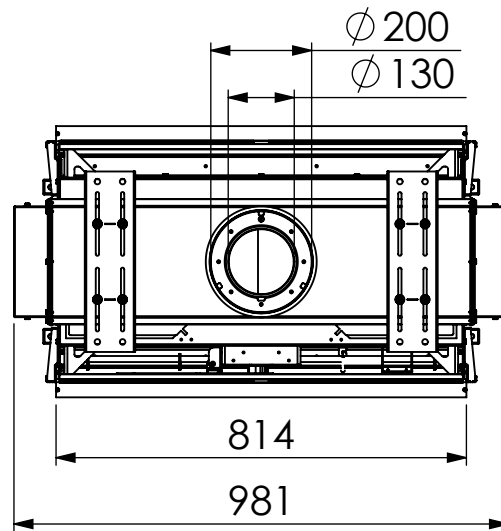
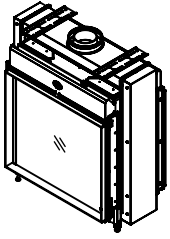
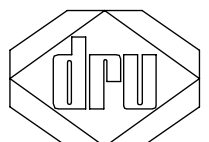
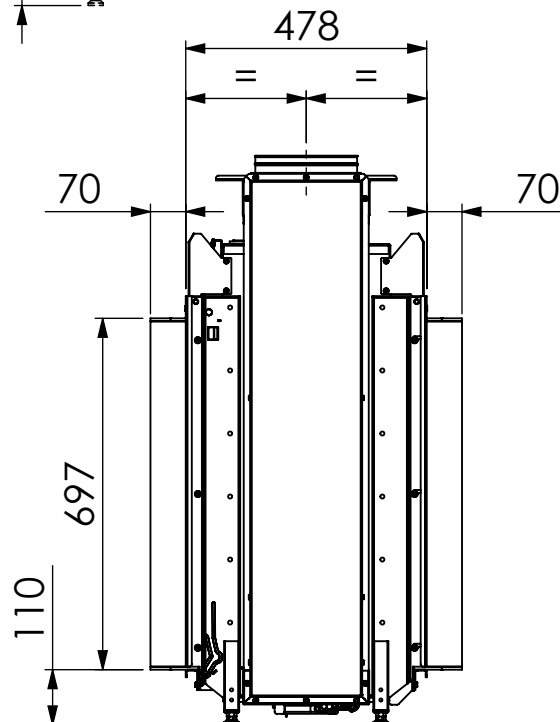
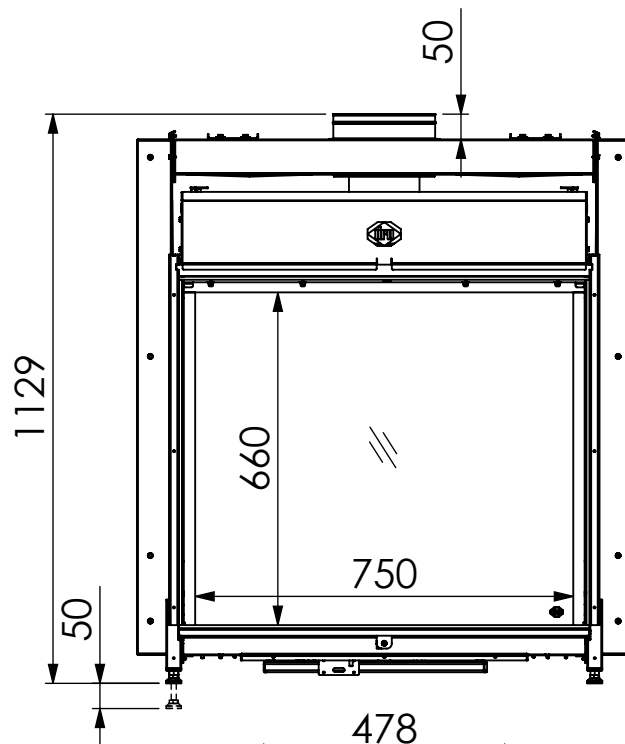
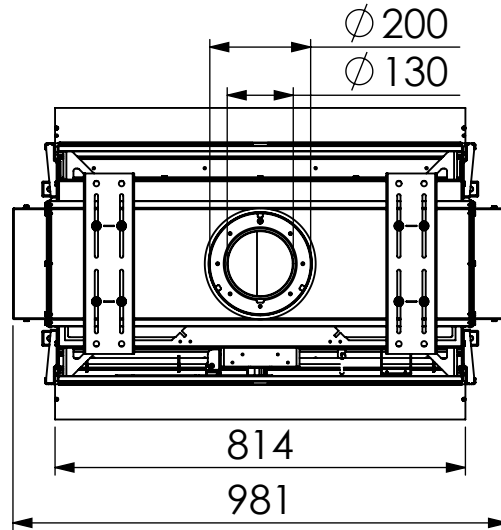
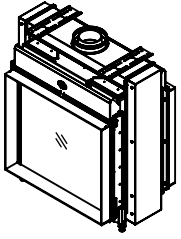


Maestro 75 Tunnel RCH



Maestro 75 Tunnel RCH 4S B=100



Maestro 75 Tunnel RCH 4S B=130

