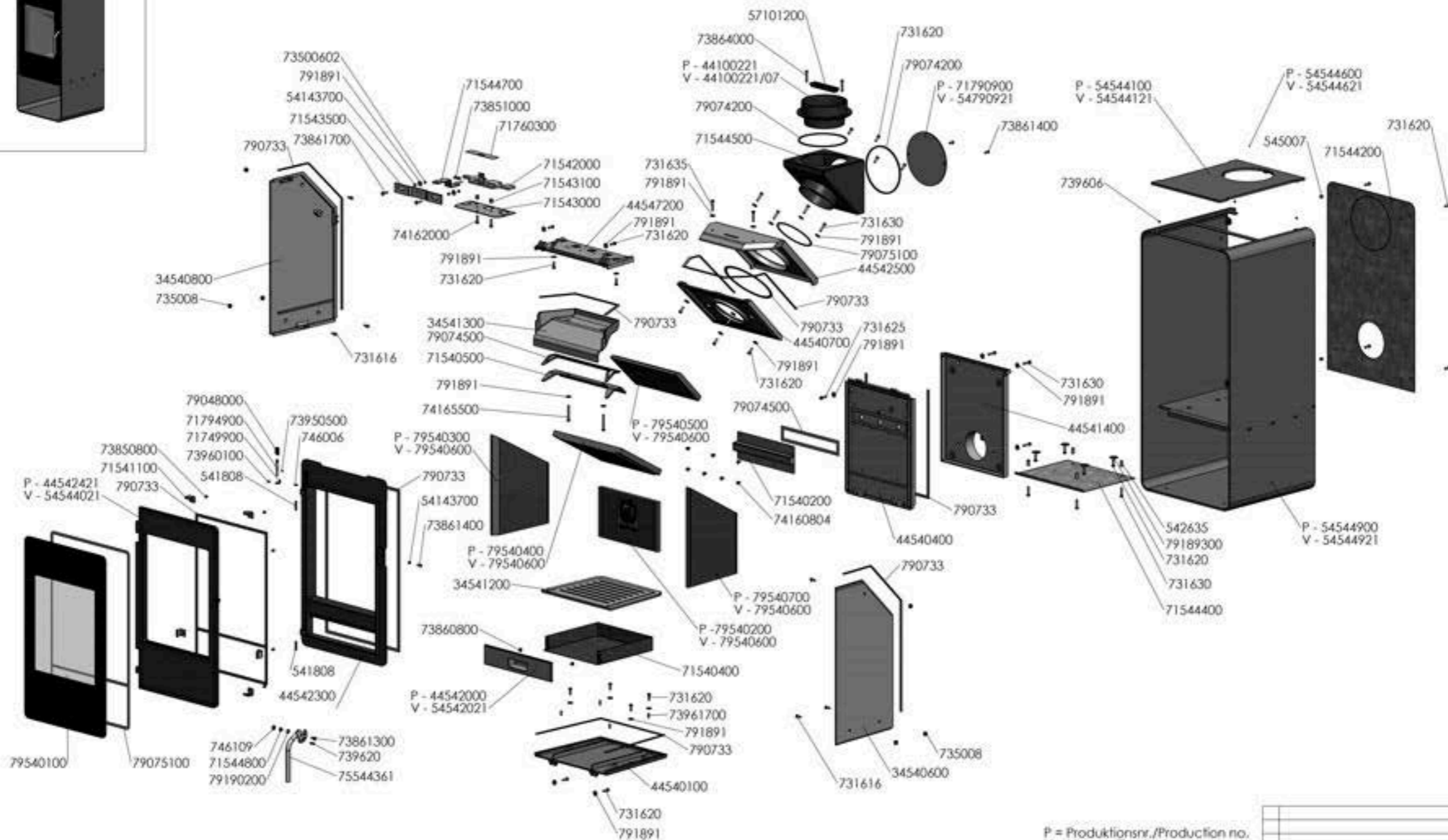


MORSØ

5443, 5448, 5470





P = Produktionsnr./Production no.
V = Varenr./Product no.

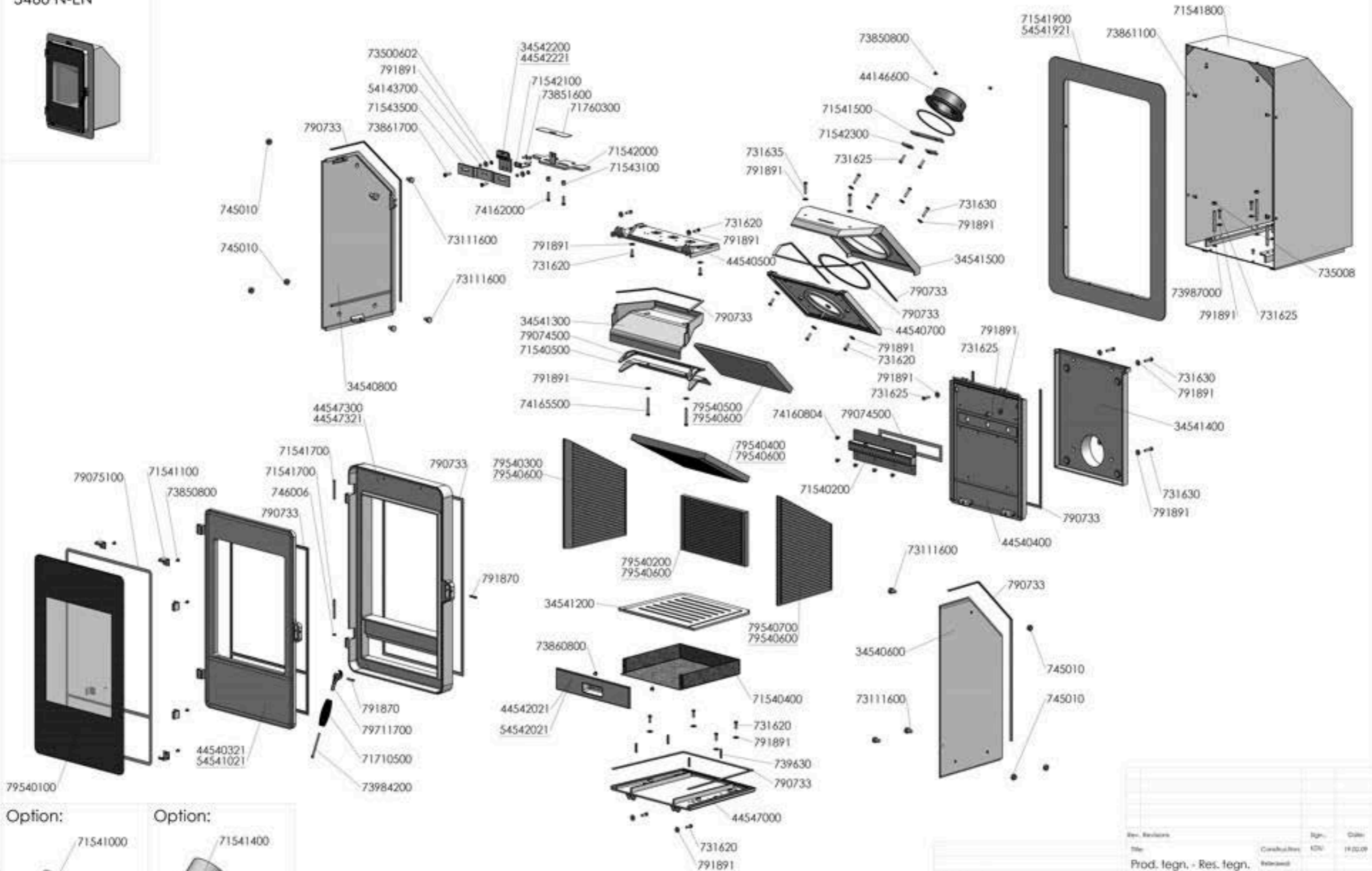
Sort/Block = 21

Title		Prod. tegn. - Res. tegn.	
Morsø		Morsø 5443	
Model no.		Morsø 5400	
Drawing type		Exploded view	
Location of file		C:\mors\5400-505 c	

Rev.	Revisions	Sign.	Date
1	Årbejdsmark 74300800 til 73008	ESV	15.08.2014
2	Tilføjet diverse bolte/diverse	ESV	12.08.2014
Title		Construction	REV
Prod. tegn. - Res. tegn.		Released	REV
Morsø 5443		Format	A2
Morsø 5400		Scale	1:10
Drawing no.		5400-505 c	

This drawing is Morsø Jernstøberi A/S property and must not be sold, lent, or copied without any written authorization from the company.

5460 N-EN



Option:



Option:



Underlined numbers are complete parts or set

Rev.	Revision	Sign.	Date
			18/02/09
Title		Coord./Rev.	KTV
Prod. legn. - Res. legn.		Released	
Morse 5460		Format	A2
Morse 5400		Scale	1:8
		Item no.	64540421
		Drawing no.	
		morso	
		5400-501 a	

This drawing is Morse Intellectual A/S property and must not be sold, rented or copied without any written authorization from the company.

5448

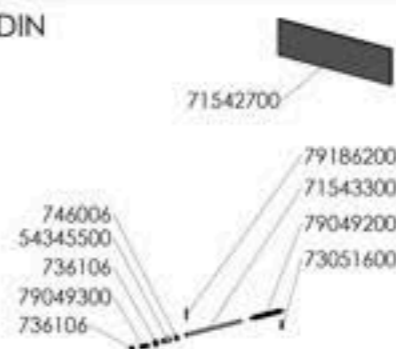
Basic Stove/Basisofen



5470



DIN



Option:

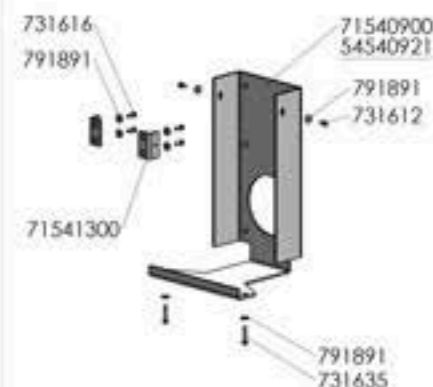


Option:

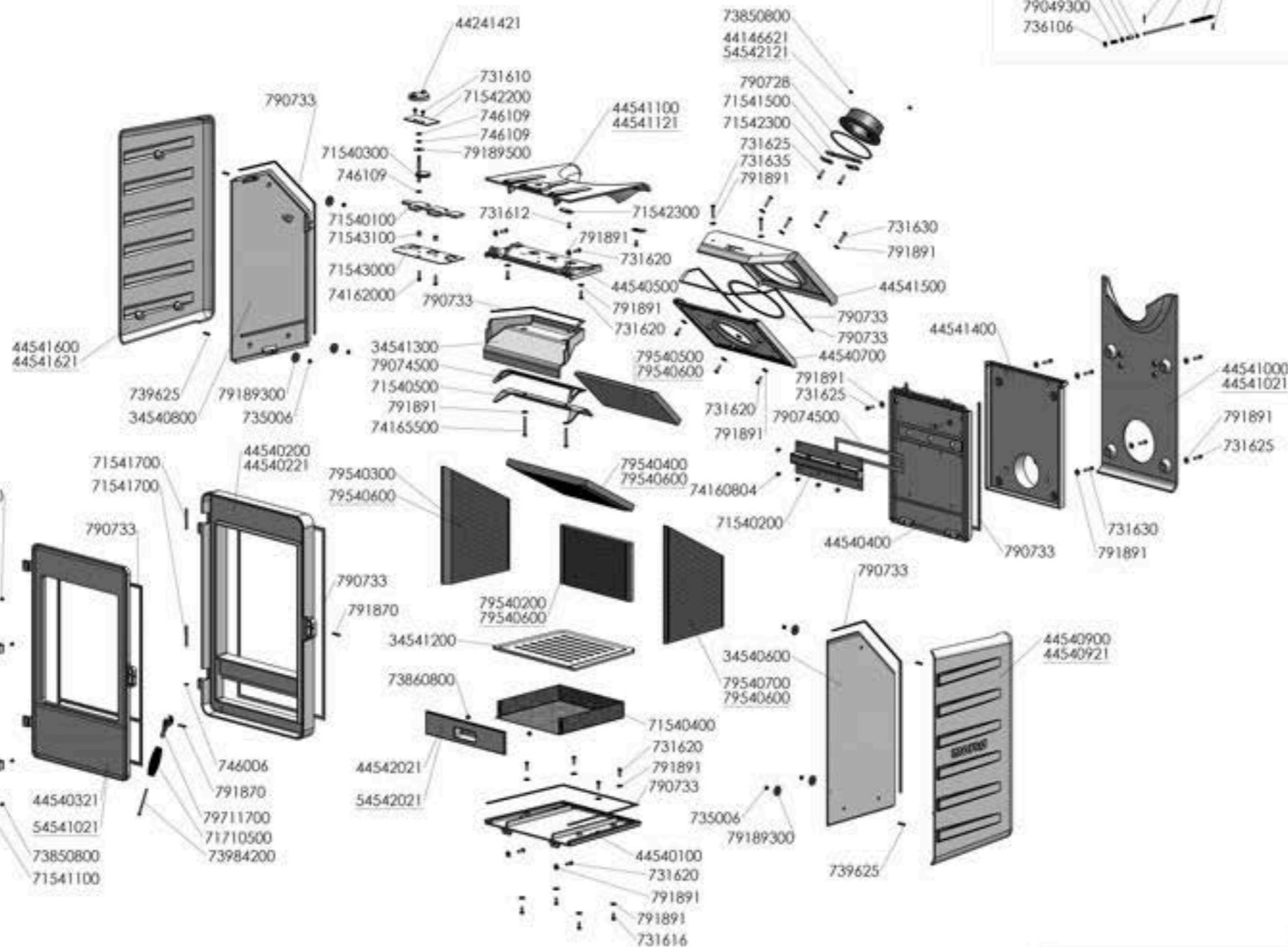
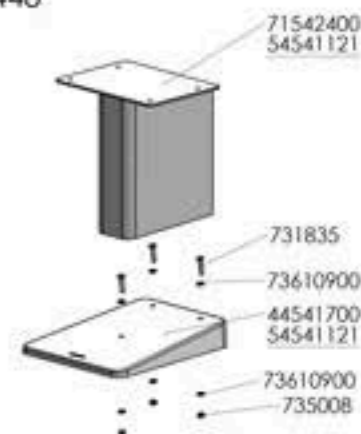


5470 option:

Complete: 54541321



5448



Underlined numbers are complete parts or set

Rev.	Revision	Sign.	Date
		WV	2011.11.16
Title		Coord./Rev.	
Prod. tegn/Res. tegn.		Released	
Morsa 5448 & 5470		Format	A2
Morsa 5400		Scale	1:10
Drawing title: Assembly		Remark	
Location of file		Drawing no.	5400-500 a
		morsa	

This drawing is Morsa Intellectual AS's property and must not be sold, lent or copied without any written authorization from the company.