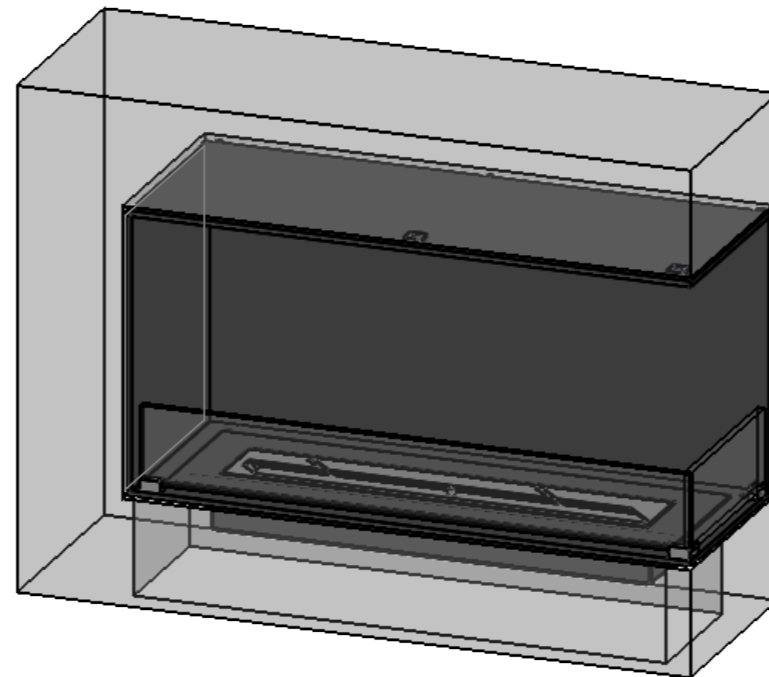



decoflame® Montreal Manuel 600mm Open to front and right
800x400x303mm, Black
 2x 110mm low glass
 Wall cut-out "805x410x308mm"

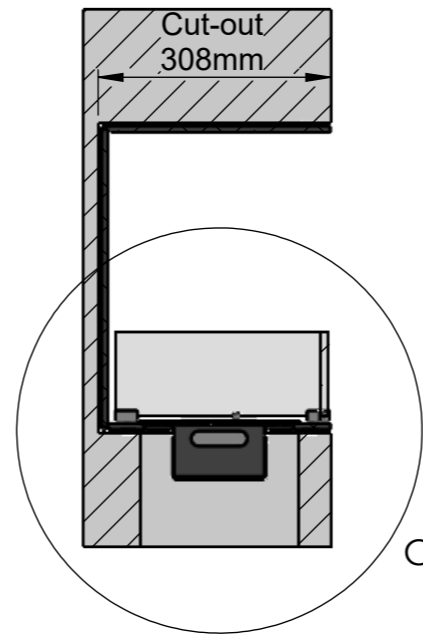
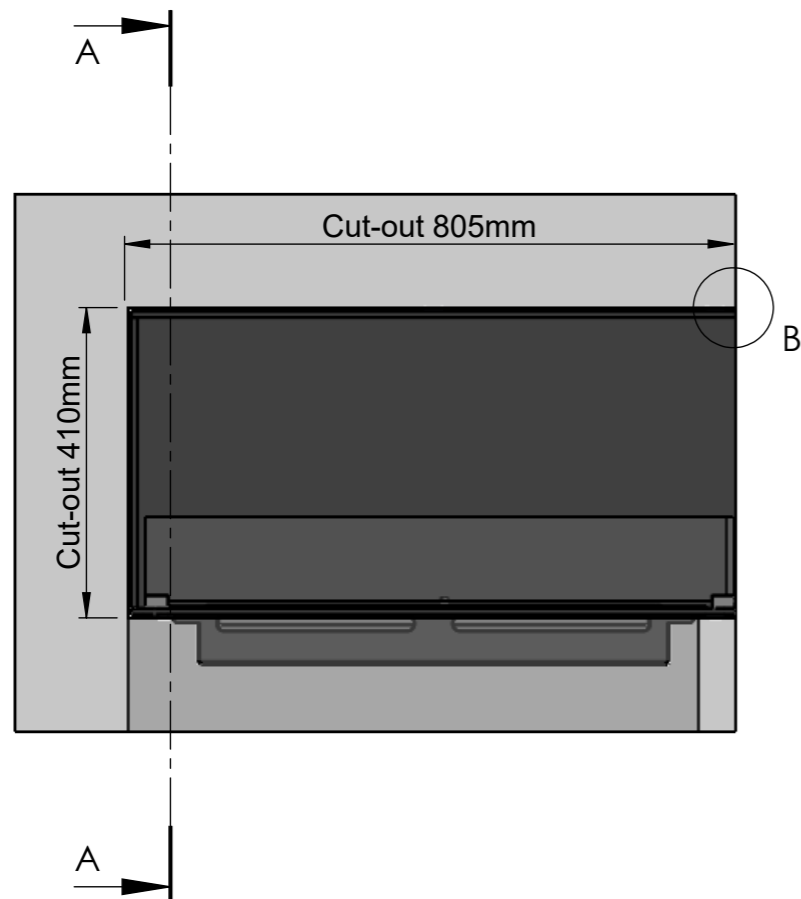


ATTENTION

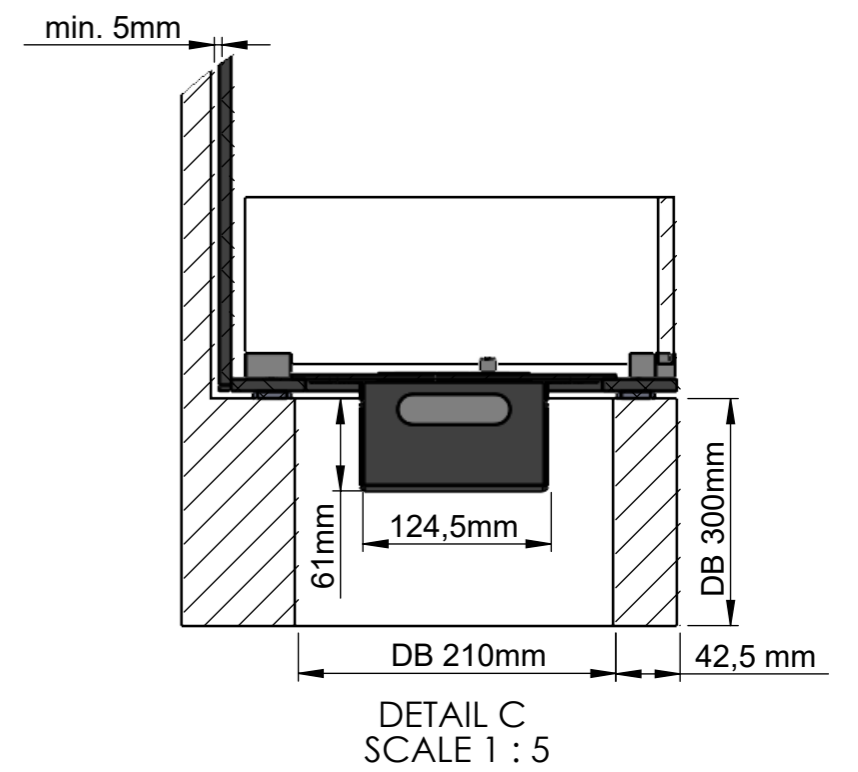
Reservations are made for glass tolerances both in length and height of $\pm 2.5\text{mm}$ and in thickness of $\pm 0.3\text{mm}$ according to DS/EN 12150.

| | | | |
|--|--------------------|---|------------------------------------|
| Dimensions are in millimeters | |  DecoFlame ApS Vang Mark 2 9380 Vestbjerg TLF: +45 96 30 48 00 www.decoflame.com | SCALE: 1:10 |
| REVISION: - | Date 03-11-2021 | | FORMAT: A3 |
| Author: TTK | | Order Number - Customer - Reference: PRINCIPLE Montreal Front and Right - conv. 800x400x303mm - 1x MB600 - 2x glass | Page 1 OF 4 |
| Copyright of DecoFlame ApS Denmark, whose property this document remains. No part thereof may be disclosed, copied, duplicated or in any other way made use of, except with the approval of DecoFlame ApS. | | | Customer Approval Signature - Date |

Montreal - Open to front and right

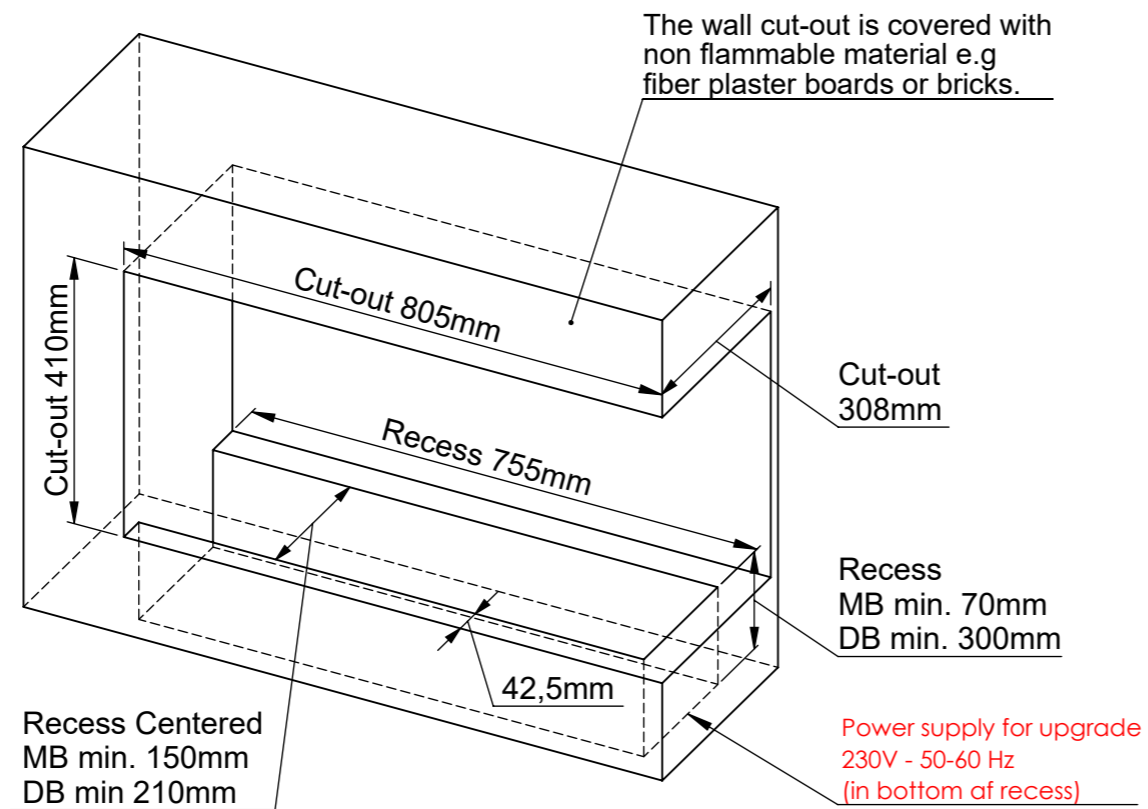


SECTION A-A



MB: Manuel Burner
DB: Electrical burner (Denver Basic)

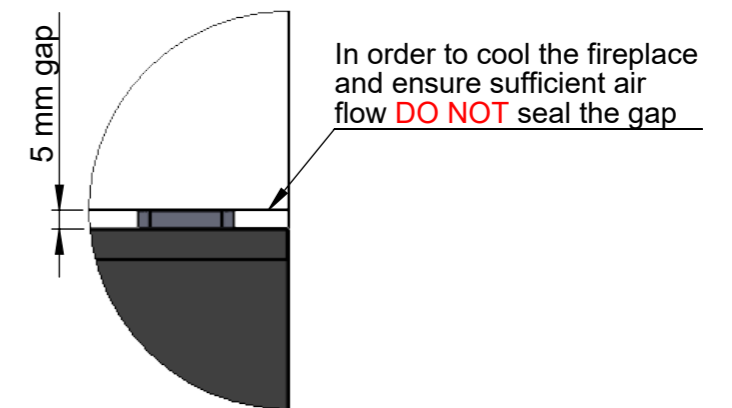
Wall dimensions




NOTE

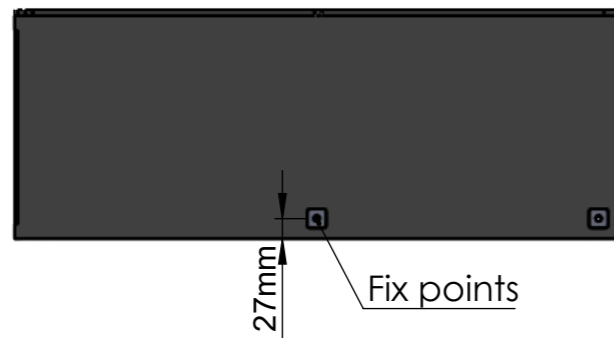
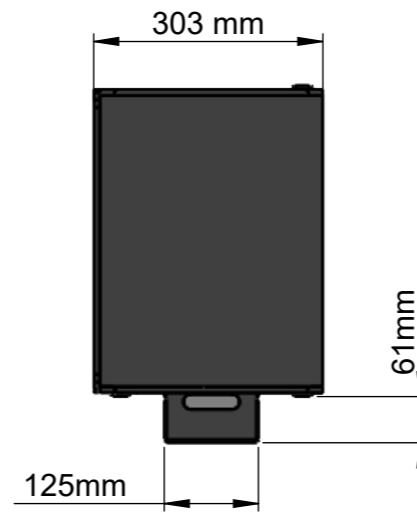
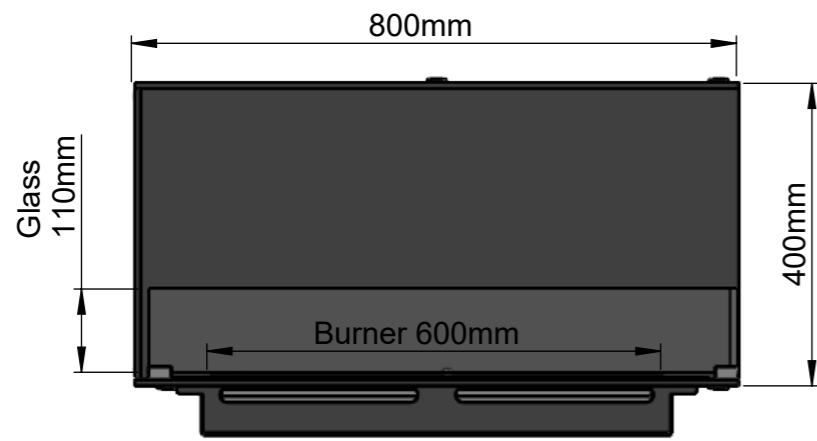
It is possible to change the burner unit, if you want to upgrade your fireplace from a manuel burner to an electrical burner

If only a manual burner is required, the recess is: W=150mm D=70mm
By changing from manuel burner to electrical burner, the recess is: W=210mm D=150mm



DETAIL B

| | | | | |
|--|--|--|---|-------------|
| REVISION: - | | Date: 03-11-2021 |  DecoFlame ApS Vang Mark 2 9380 Vestbjerg TLF: +45 96 30 48 00 www.decoflame.com | SCALE: 1:10 |
| Author: TTK | | Order Number - Customer - Reference: | | FORMAT: A3 |
| Copyright of DecoFlame ApS Denmark, whose property this document remains. No part thereof may be disclosed, copied, duplicated or in any other way made use of, except with the approval of DecoFlame ApS. | | PRINCIPLE Montreal Front and Right - conv. 800x400x303mm - 1x MB600 - 2x glass | | Page 2 OF 4 |
| | | Customer Approval Signature - Date | | |



Montreal - Open to front and right

General Installation Guidelines for “decoflame® made to measure fireplaces”:

The wall cut-out is made at least 20mm deeper than the depth of the fireplace to ensure sufficient air flow and cooling of the fireplace. Furthermore, it is essential to maintain a 5mm gap all the way around the fireplace (Cut-out = Fireplace Dimensions + 10mm) This gap must not be sealed.

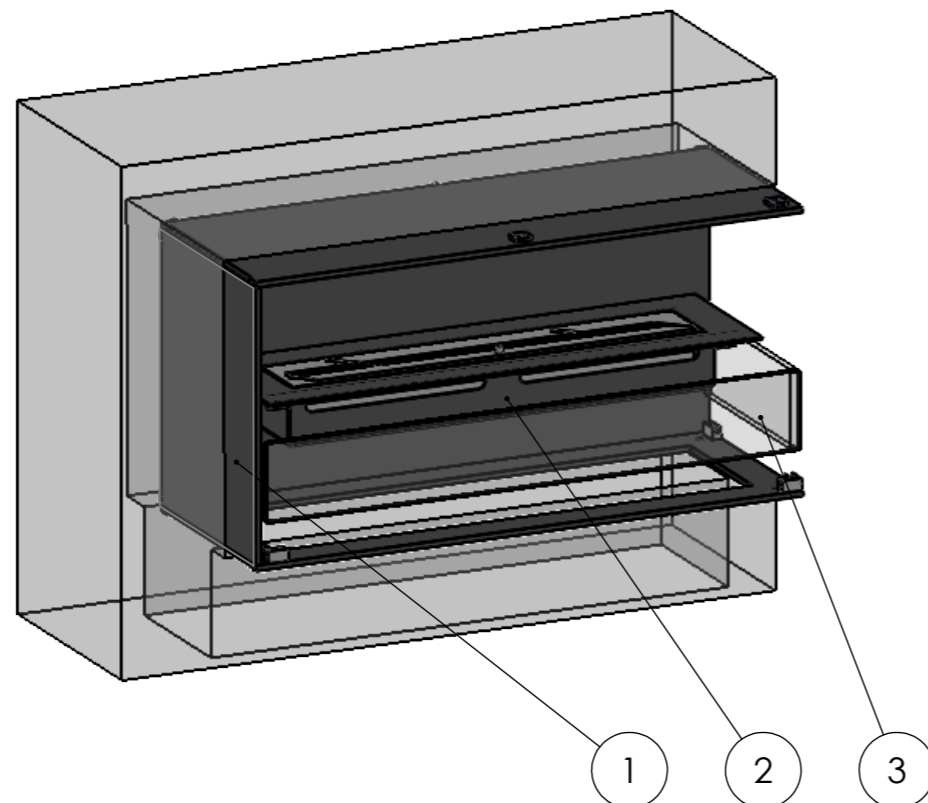
As the edges of the cut-out remain visible it is important that they are done to the highest possible finish. All four corners of the cut out must have exactly a 90 degree angle.

Plasterboard walls - Stud-walls
All surfaces inside the wall cut-out are to be covered with fibre plaster sheets or other non-inflammable materials.

Stone/Brick walls
The cut-out is made according to the attached drawing.


Important
Make sure to create a closed cavity for the section below the base plate of the fire and above the roof of the fireplace.

Installation process



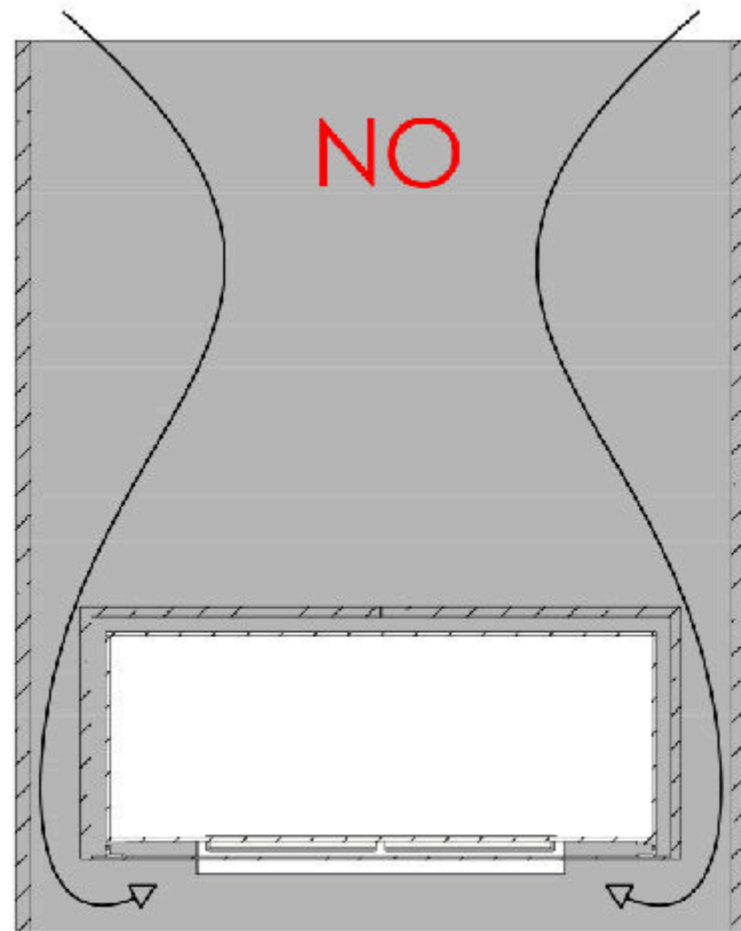
Exploded view showing the installation process.

1. The chassis of the fireplace (top/sides/bottom) is centered in the wall cut-out.
Use suited wall plugs depending on the type of wall.
2. The fireplace is plugged in the power outlet and lowered into the recess.
3. Gently place the glass on the base plate pins.

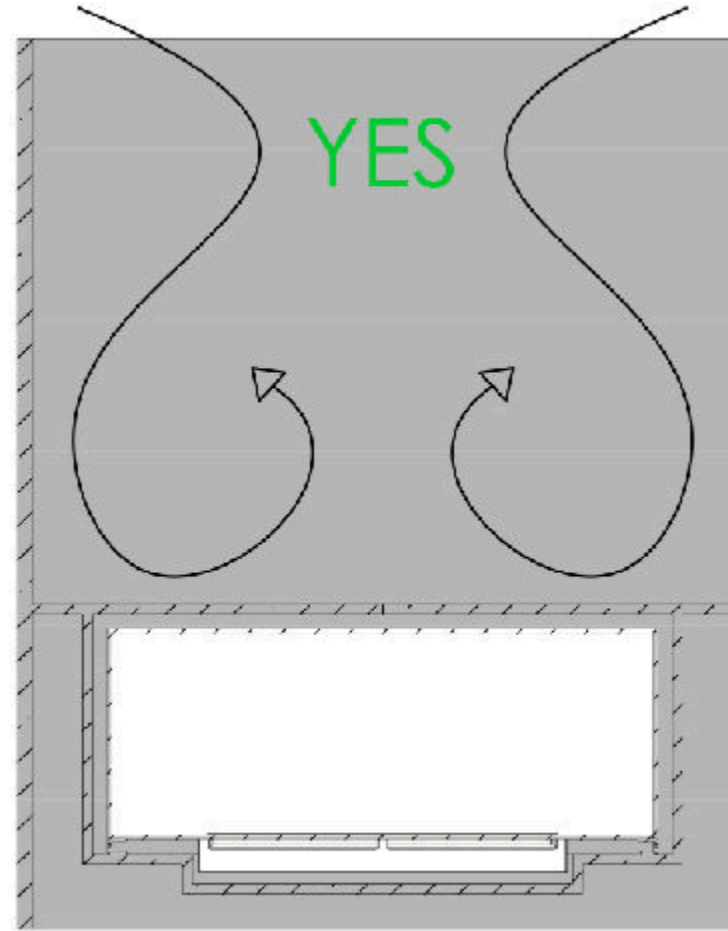
| | | | |
|--|--------------------|---|--------------------|
| Dimensions are in millimeters | |  DecoFlame ApS Vang Mark 2 9380 Vestbjerg TLF: +45 96 30 48 00 www.decoflame.com | SCALE: 1:10 |
| REVISION: - | Date 03-11-2021 | | FORMAT: A3 |
| Author: TTK | | Order Number - Customer - Reference: PRINCIPLE Montreal Front and Right - conv. 800x400x303mm - 1x MB600 - 2x glass | Page 3 OF 4 |
| Copyright of DecoFlame ApS Denmark, whose property this document remains. No part thereof may be disclosed, copied, duplicated or in any other way made use of, except with the approval of DecoFlame ApS. | | Customer Approval Signature - Date | |

IMPORTANT INFORMATION

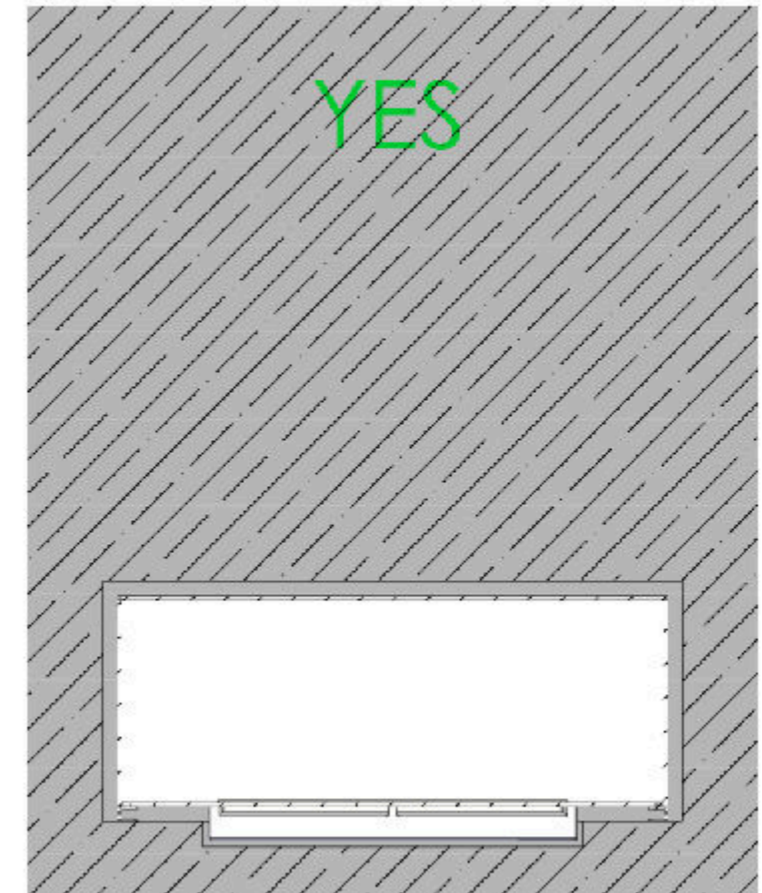
Particulars of the wall in which the fireplace shall be installed




DO NOT! install the fireplace in a wall construction which is open above and below the fireplace. The warm air will cause turbulences inside this hollow construction which will have a negative impact on the flames.



DO! install the fireplace in an open-wall construction, which is closed above and below the fireplace. Make sure to create a closed cavity for the section below the base plate of the fire.



DO! install the fireplace in a massive wall (made of bricks, stone or gas beton) using the wall cut-out dimensions mentioned on the previous page.

| | | | |
|--|--------------------|---|--------------------|
| Dimensions are in millimeters | |  DecoFlame ApS Vang Mark 2 9380 Vestbjerg TLF: +45 96 30 48 00 www.decoflame.com | SCALE: 1:10 |
| REVISION: - | Date 03-11-2021 | | FORMAT: A3 |
| Author: TTK | | Order Number - Customer - Reference: PRINCIPLE Montreal Front and Right - conv. 800x400x303mm - 1x MB600 - 2x glass | Page 4 OF 4 |
| Copyright of DecoFlame ApS Denmark, whose property this document remains. No part thereof may be disclosed, copied, duplicated or in any other way made use of, except with the approval of DecoFlame ApS. | | Customer Approval Signature - Date | |