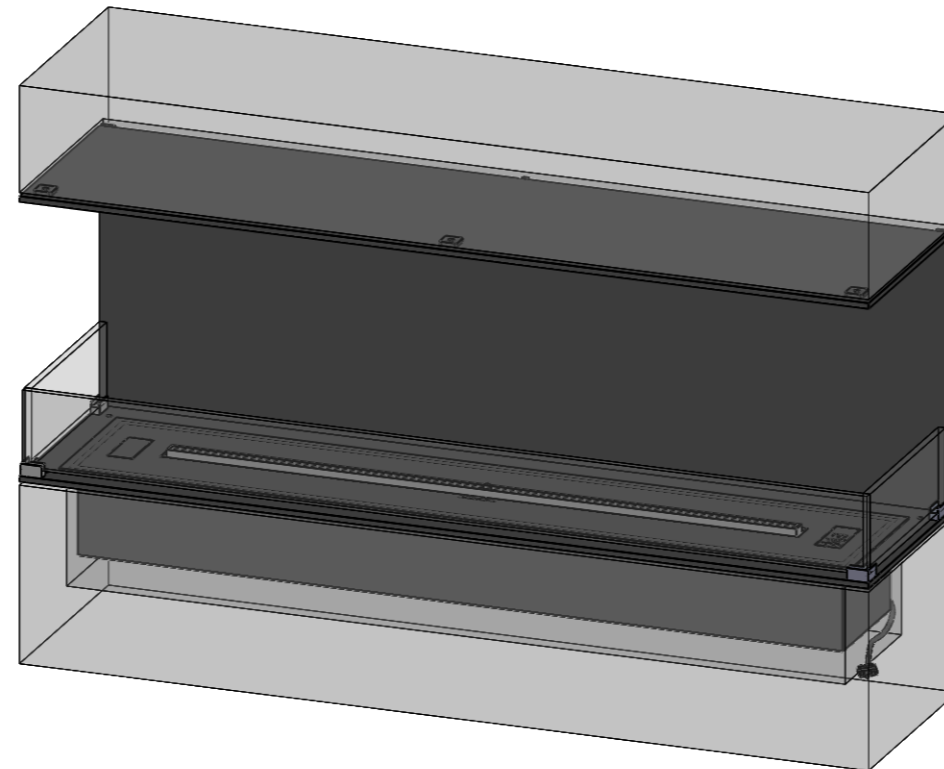



decoflame® Montreal Denver F6 1120 FT900 Open to front, right and left

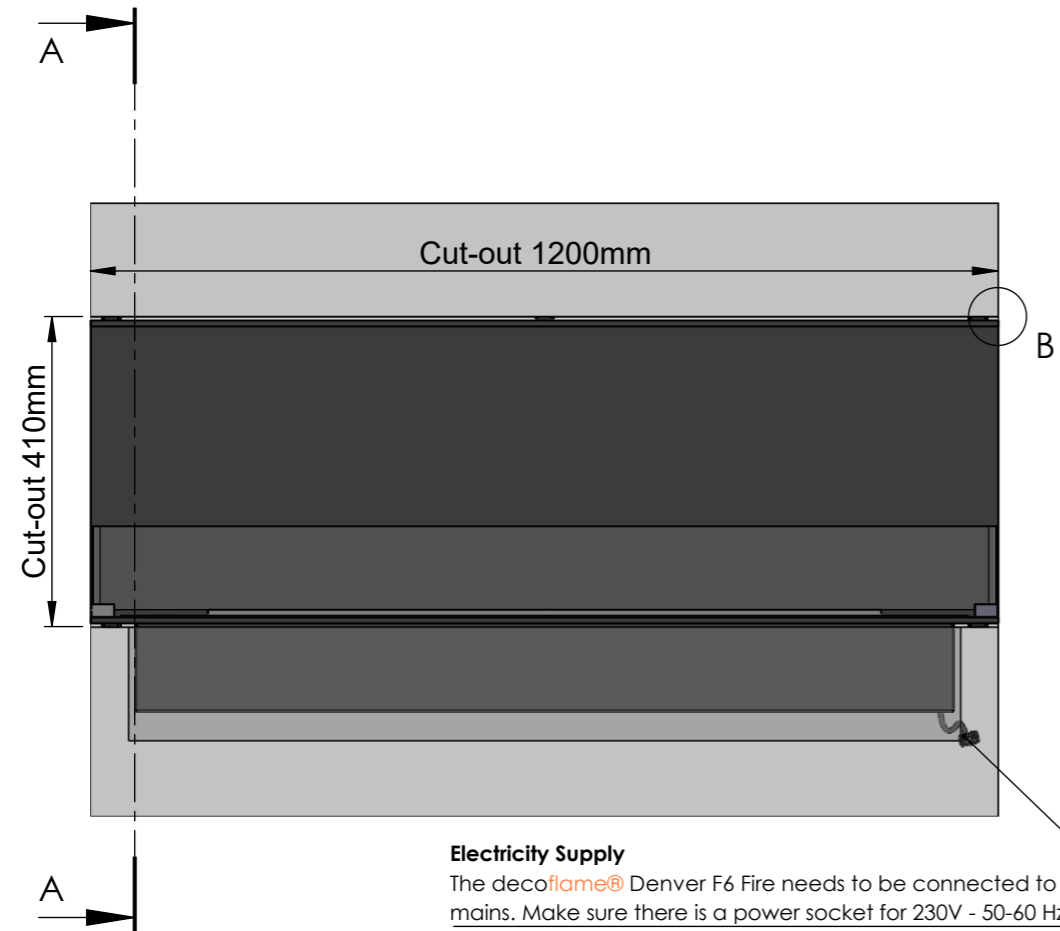
1200x400x308mm, Black

with remote control, control panel, bluetooth / App and six step flame levels
3x 110mm high glass

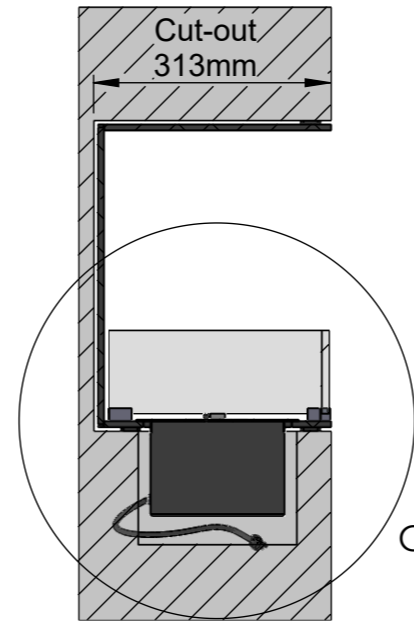
Wall cut-out "1200x410x313mm"



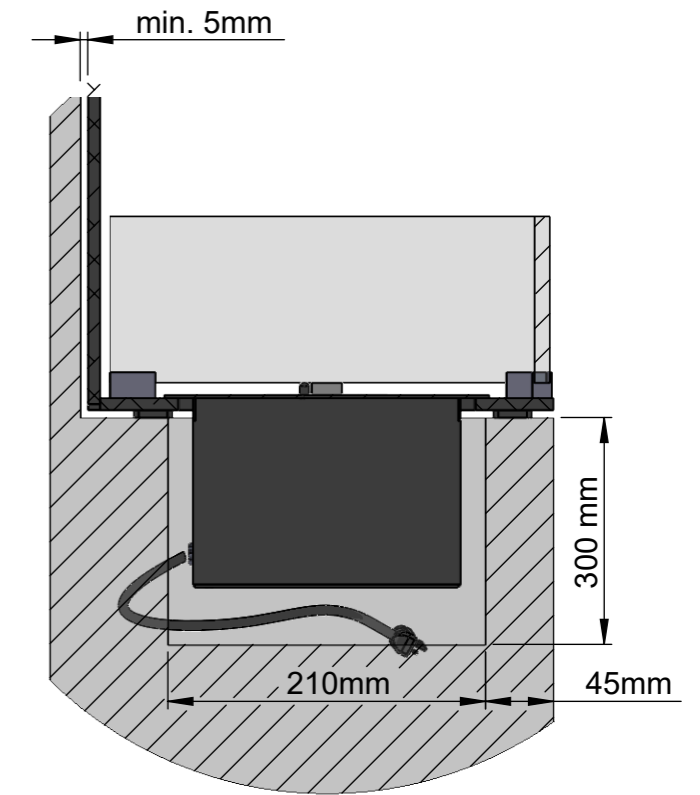
Dimensions are in millimeters		 DecoFlame ApS Vang Mark 2 9380 Vestbjerg Tlf.: +45 9630 4800 decoflame.com	SCALE: 1:10
REVISION:	Date		FORMAT: A3
-	04-04-2024		Page 1 OF 4
Author: JDR		Order Number - Customer - Reference: PRINCIP Montreal Front Højre Venstre conv. 1200x400x308mm - Denver F6 1120 - 3x low	
Copyright of DecoFlame ApS Denmark, whose property this document remains. No part thereof may be disclosed, copied, duplicated or in any other way made use of, except with the approval of DecoFlame ApS.		Customer Approval Signature - Date	



Electricity Supply
 The decoflame® Denver F6 Fire needs to be connected to the mains. Make sure there is a power socket for 230V - 50-60 Hz

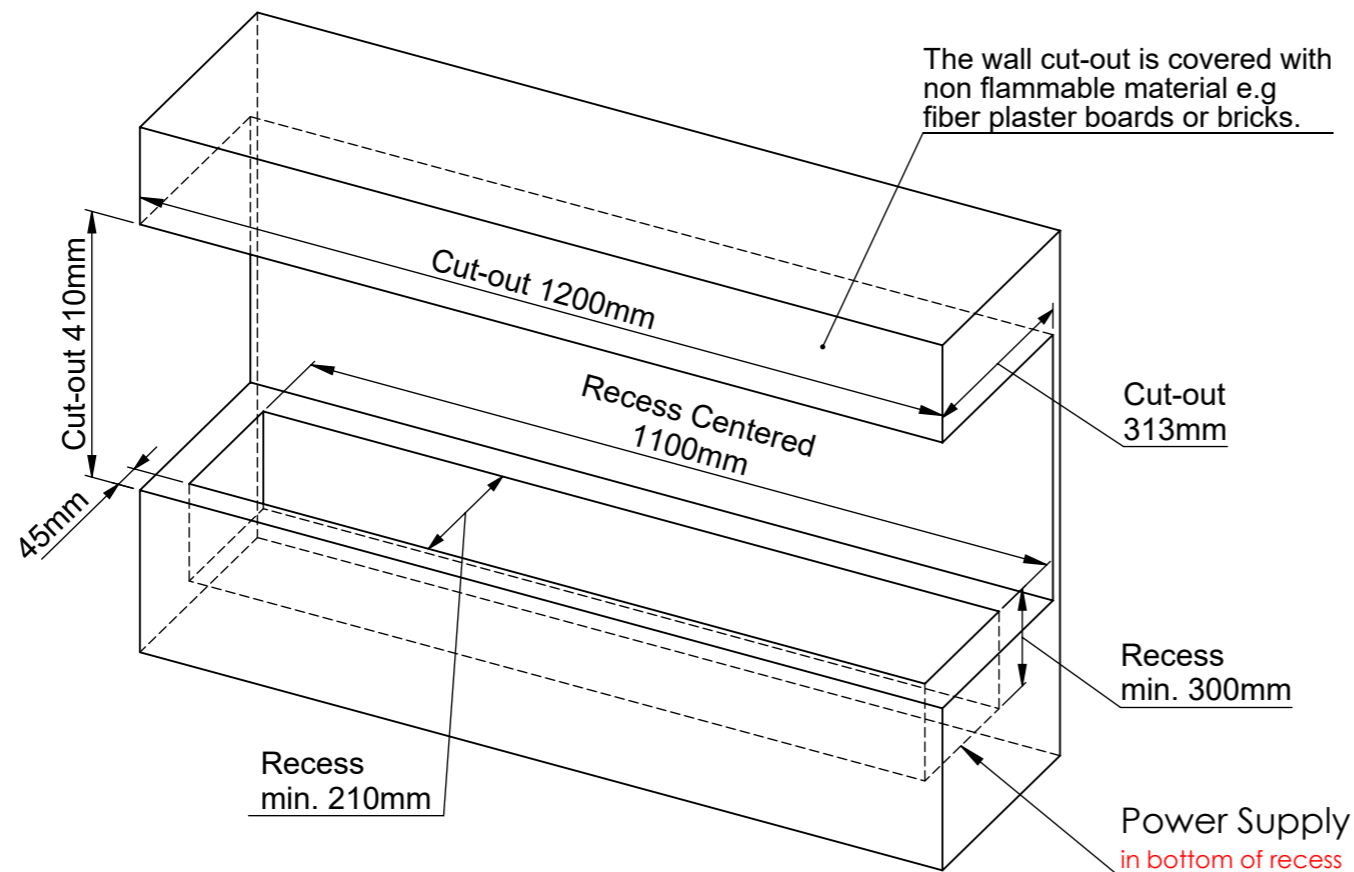


SECTION A-A

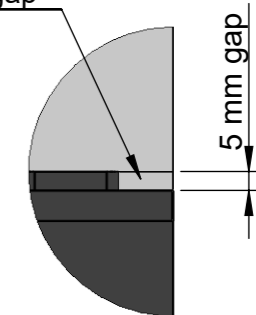


DETAIL C
 SCALE 1 : 5


Wall dimensions

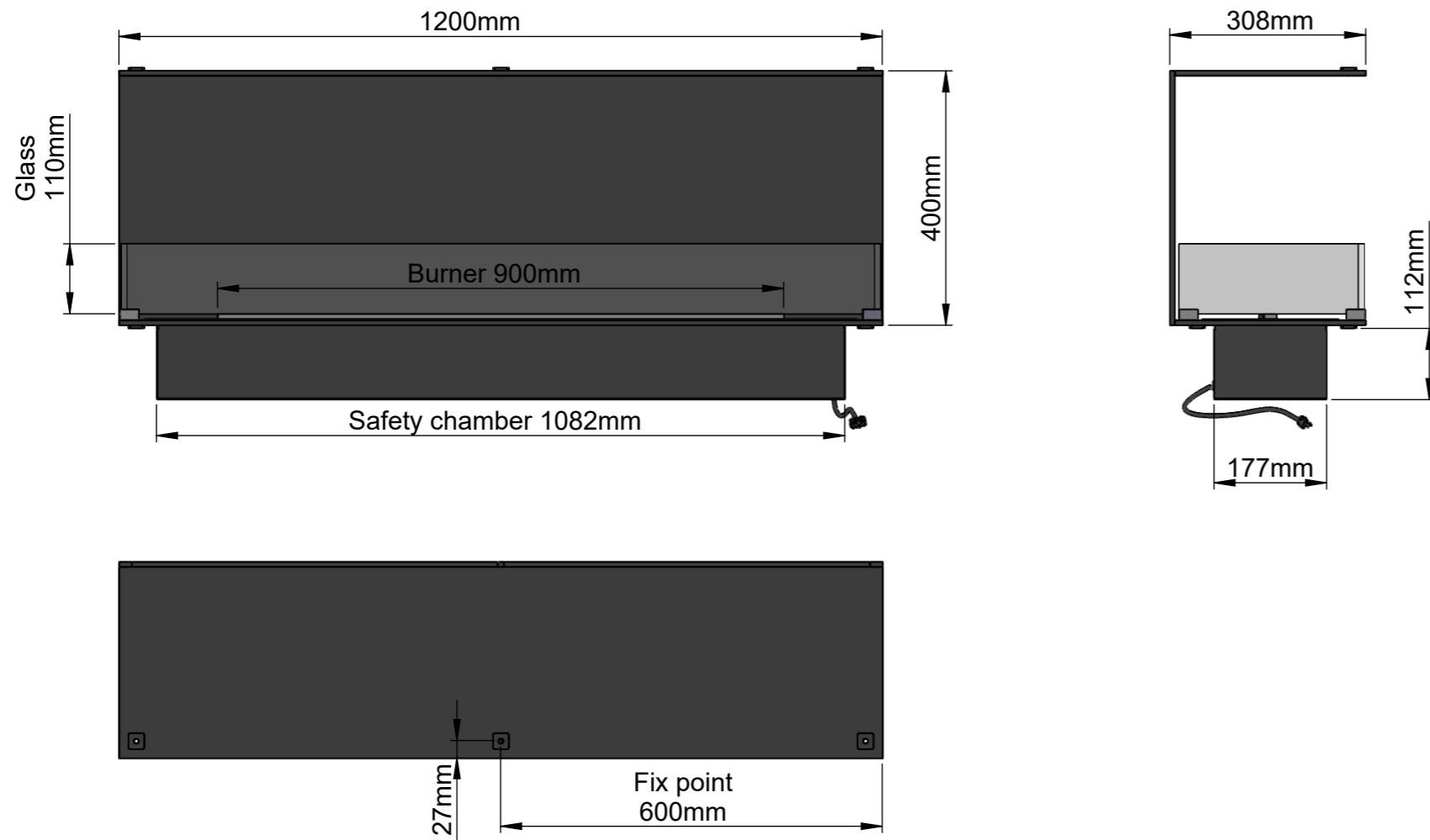


In order to cool the fireplace and ensure sufficient air flow DO NOT seal the gap



DETAIL B

Dimensions are in millimeters		 DecoFlame ApS Vang Mark 2 9380 Vestbjerg Tlf.: +45 9630 4800 decoflame.com	SCALE: 1:10
REVISION: -	Date 04-04-2024		FORMAT: A3
Author: JDR		Order Number - Customer - Reference: PRINCIP Montreal Front Højre Venstre conv. 1200x400x308mm - Denver F6 1120 - 3x low	
Copyright of DecoFlame ApS Denmark, whose property this document remains. No part thereof may be disclosed, copied, duplicated or in any other way made use of, except with the approval of DecoFlame ApS.		Customer Approval Signature - Date	



General Installation Guidelines for “decoflame® made to measure fireplaces”:

The wall cut-out is made at least 20mm deeper than the depth of the fireplace to ensure sufficient air flow and cooling of the fireplace. Furthermore, it is essential to maintain a 5mm gap all the way around the fireplace (Cut-out = Fireplace Dimensions + 10mm) This gap must not be sealed.

As the edges of the cut-out remain visible it is important that they are done to the highest possible finish. All four corners of the cut out must have exactly a 90 degree angle.

Plasterboard walls - Stud-walls

All surfaces inside the wall cut-out are to be covered with fibre plaster sheets or other non-inflammable materials.

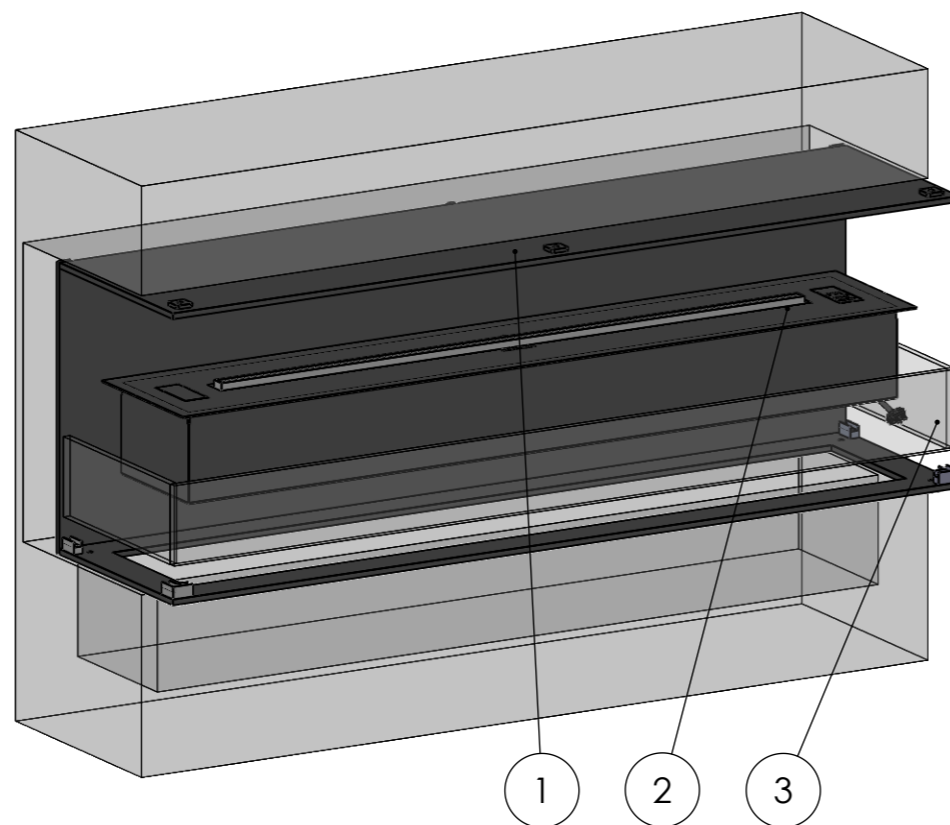
Stone/Brick walls

The cut-out is made according to the attached drawing.

Important


Make sure to create a closed cavity for the section below the base plate of the fire and above the roof of the fireplace.

Installation process



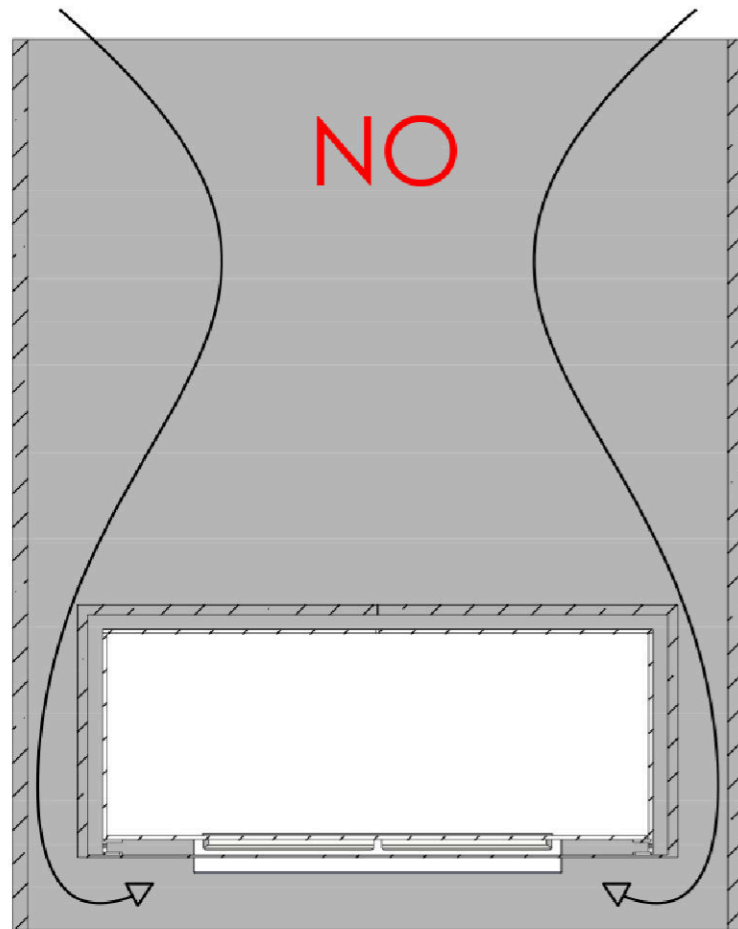
Exploded view showing the installation process.

1. The chassis of the fireplace (top/sides/bottom) is centered in the wall cut-out.
Use suited wall plugs depending on the type of wall.
2. The fireplace is plugged in the power outlet and lowered into the recess.
3. Gently place the glass on the base plate pins.

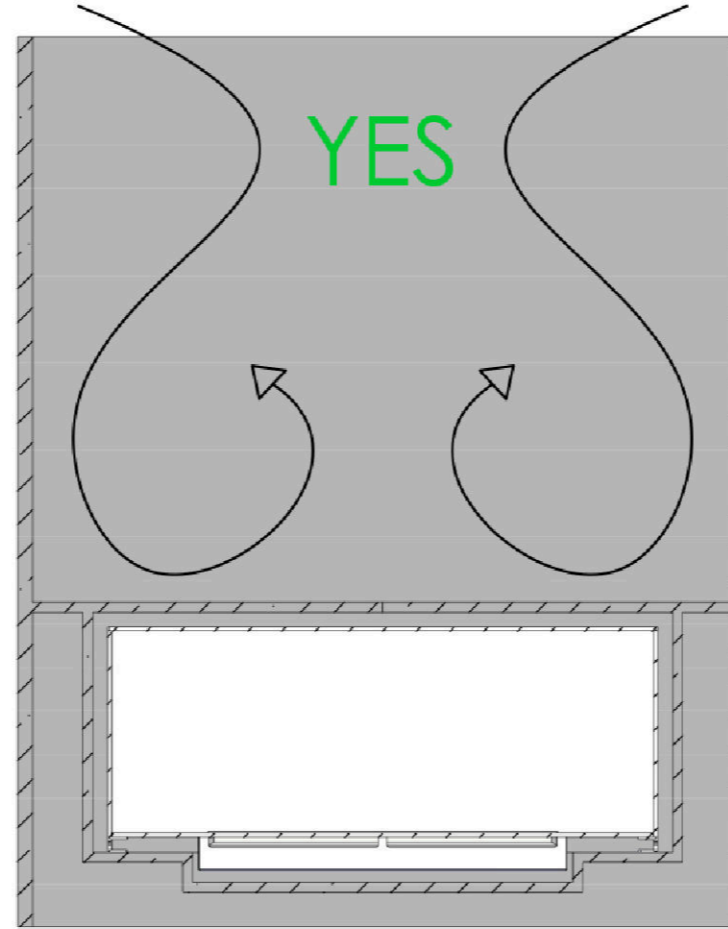
Dimensions are in millimeters		 Decoflake ApS Vang Mark 2 9380 Vestbjerg Tlf: +45 9630 4800 decoflake.com	SCALE: 1:10
REVISION: -	Date 04-04-2024		FORMAT: A3
Author: JDR		Order Number - Customer - Reference: PRINCIP Montreal Front Højre Venstre conv. 1200x400x308mm - Denver F6 1120 - 3x low	
Copyright of Decoflake ApS Denmark, whose property this document remains. No part thereof may be disclosed, copied, duplicated or in any other way made use of, except with the approval of Decoflake ApS.		Customer Approval Signature - Date	

IMPORTANT INFORMATION

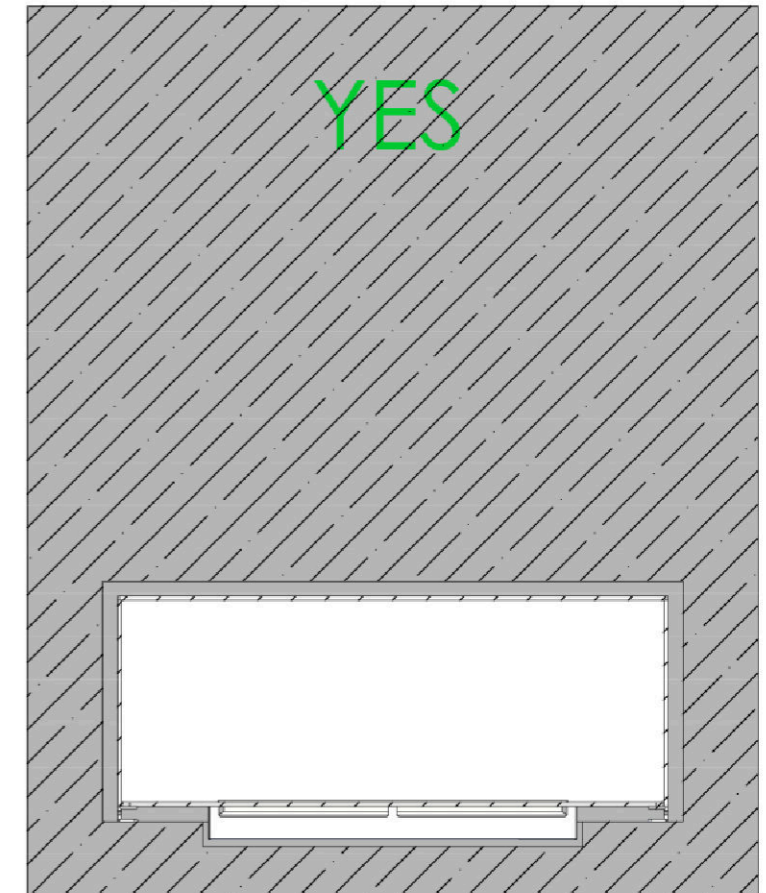
Particulars of the wall in which the fireplace shall be installed




DO NOT! install the fireplace in a wall construction which is open above and below the fireplace. The warm air will cause turbulences inside this hollow construction which will have a negative impact on the flames.



DO! install the fireplace in an open-wall construction, which is closed above and below the fireplace. Make sure to create a closed cavity for the section below the base plate of the fire.



DO! install the fireplace in a massive wall (made of bricks, stone or gas beton) using the wall cut-out dimensions mentioned on the previous page.

Dimensions are in millimeters		 Decoflame ApS Vang Mark 2 9380 Vestbjerg Tlf: +45 9630 4800 decoflame.com	SCALE: 1:10
REVISION: -	Date 04-04-2024		FORMAT: A3
Author: JDR		Order Number - Customer - Reference: PRINCIP Montreal Front Højre Venstre conv. 1200x400x308mm - Denver F6 1120 - 3x low	Page 4 OF 4
<small>Copyright of Decoflame ApS Denmark, whose property this document remains. No part thereof may be disclosed, copied, duplicated or in any other way made use of, except with the approval of Decoflame ApS.</small>		Customer Approval Signature - Date	