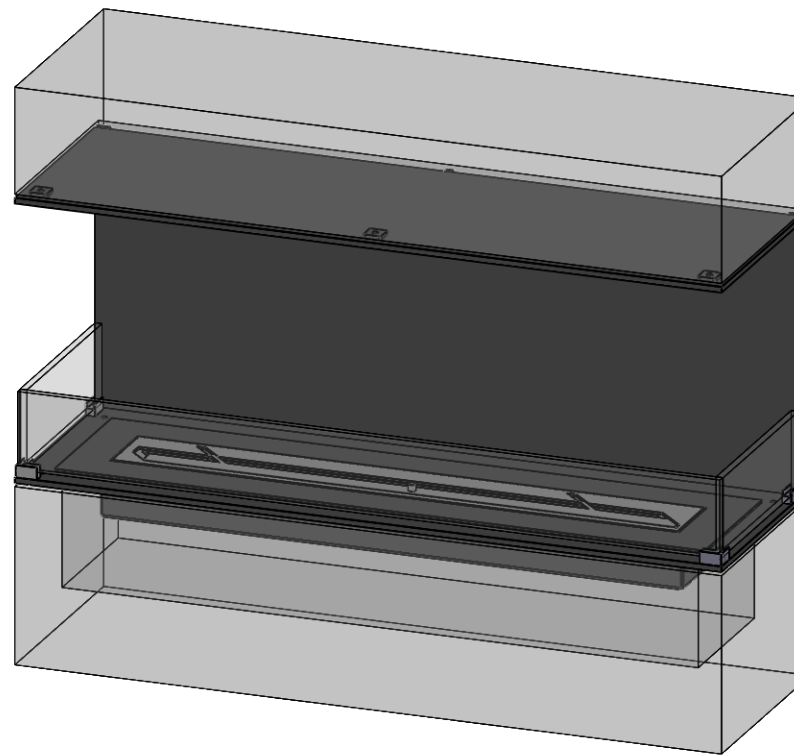

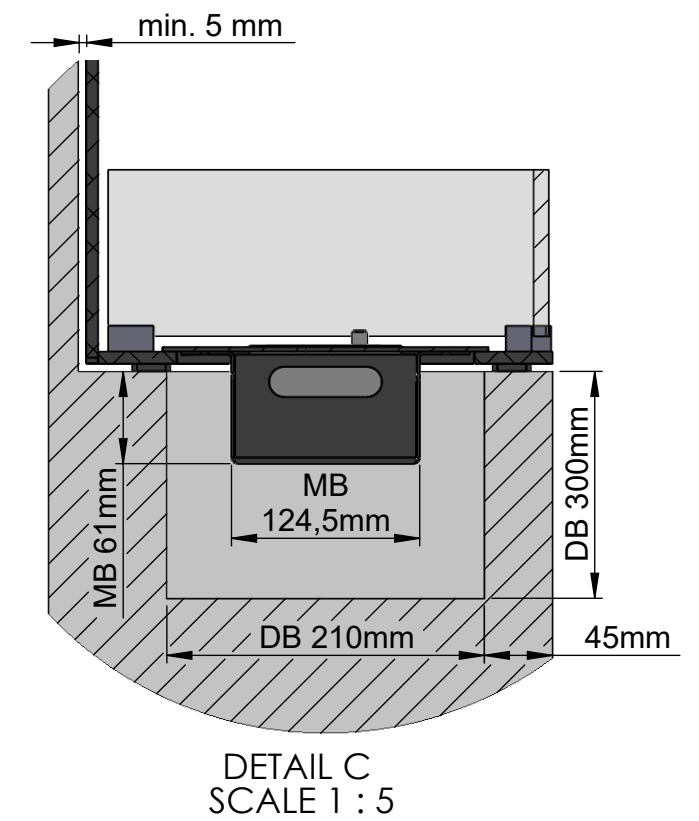
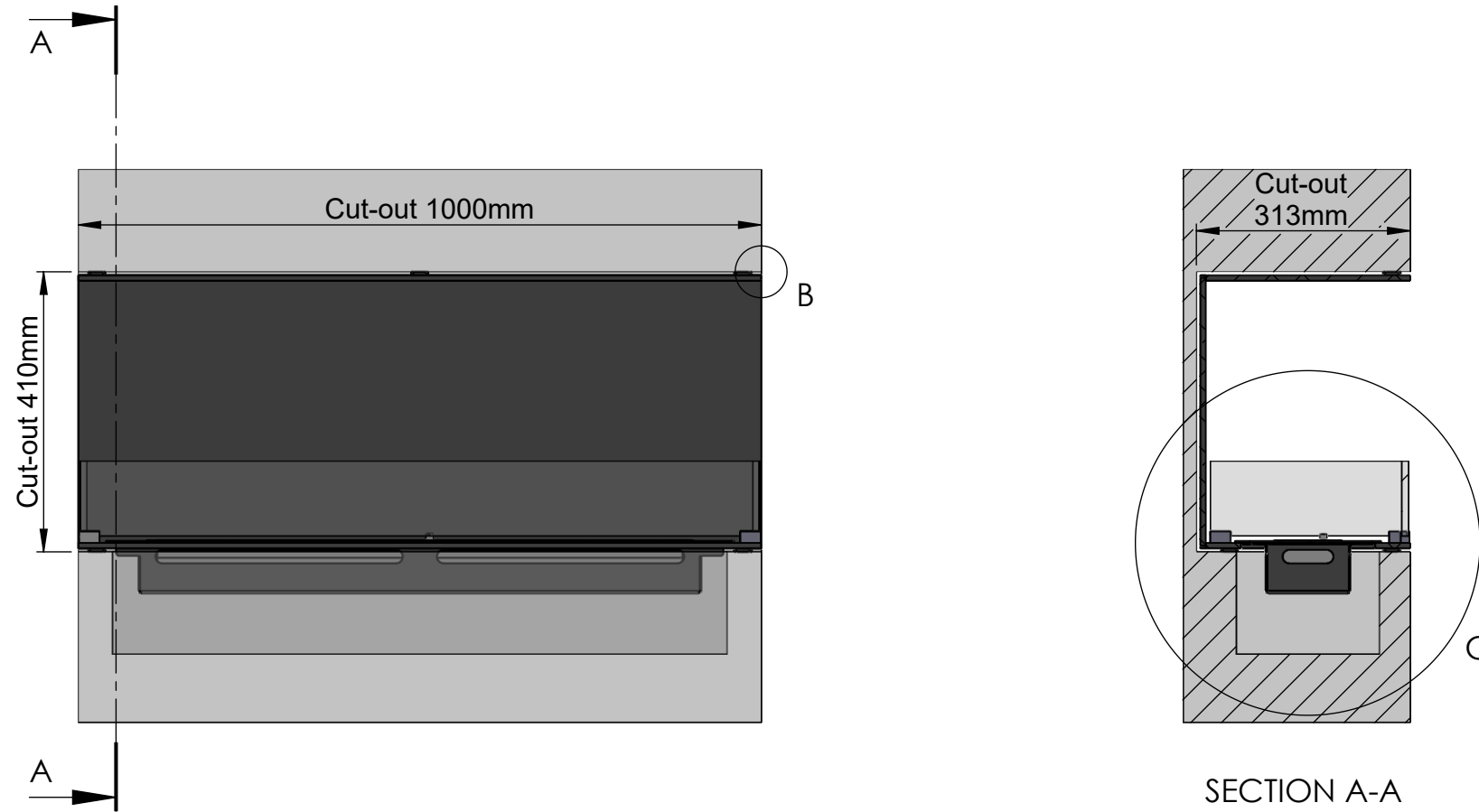


decoflame® Montreal Manuel 800 Open to front, right and left
1000x400x308mm, Black
 3x 110mm high glass
 Wall cut-out "1000x410x313mm"



Dimensions are in millimeters		 DecoFlame ApS Vang Mark 2 9380 Vestbjerg TLF: +45 96 30 48 00 www.decoflame.com	SCALE: 1:10
REVISION:	Date		FORMAT: A3
-	26-02-2020		Page 1 OF 4
Author: TTK		Order Number - Customer - Reference: PRINCIP Montreal Front Right Left conv. 1000x400x308mm - MB800 - 3x low	
Copyright of DecoFlame ApS Denmark, whose property this document remains. No part thereof may be disclosed, copied, duplicated or in any other way made use of, except with the approval of DecoFlame ApS.		Customer Approval Signature - Date	

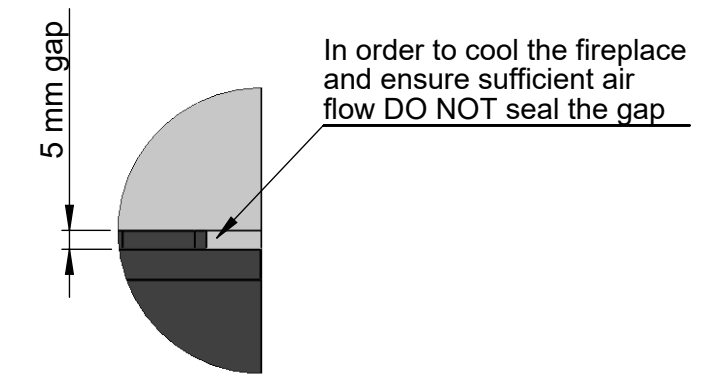
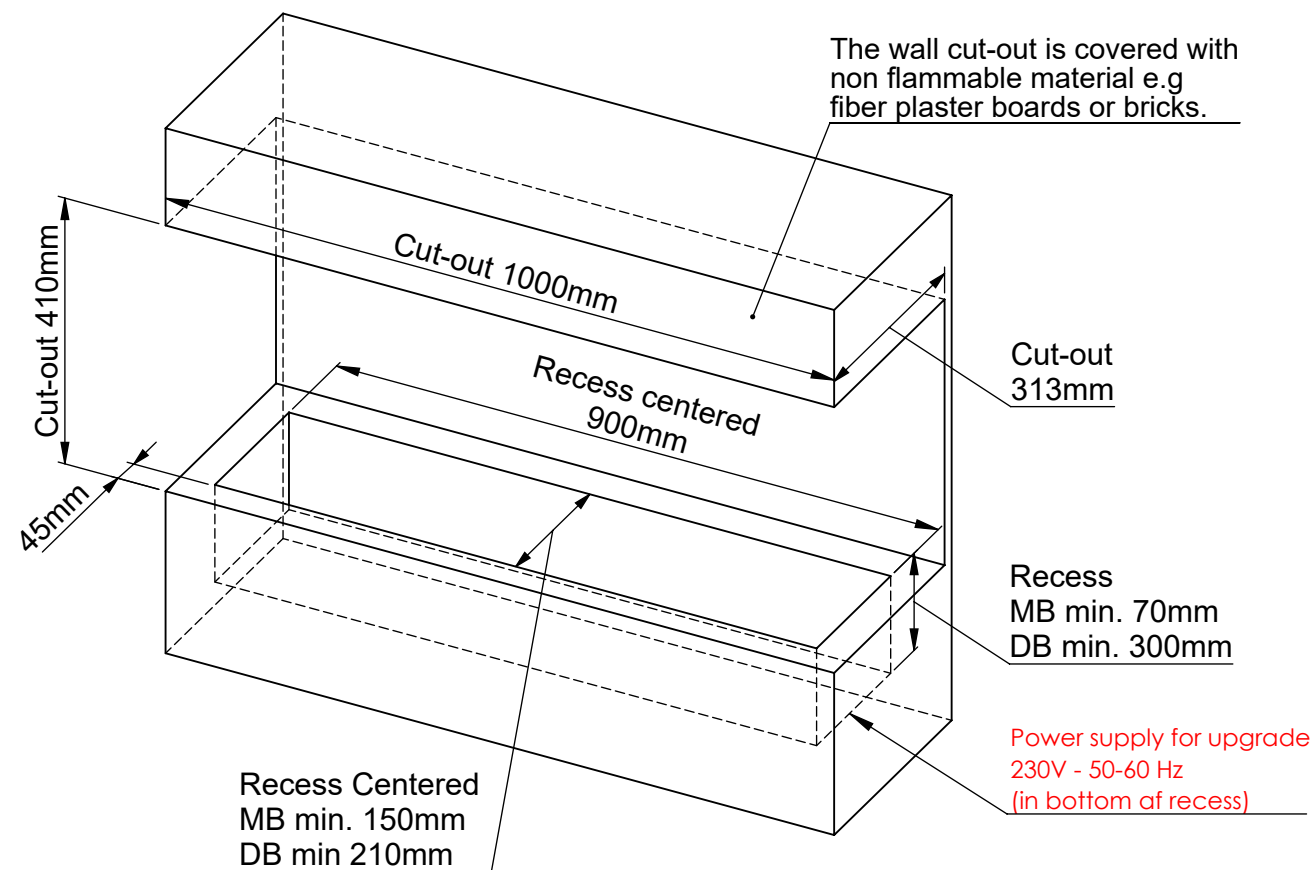
Montreal - Open to front, right and left



DETAIL C
SCALE 1 : 5

MB: Manuel Burner
DB: Electrical burner (Denver Basic)

Wall dimensions




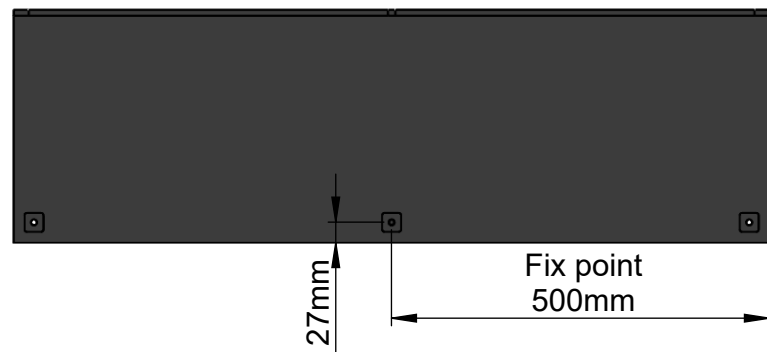
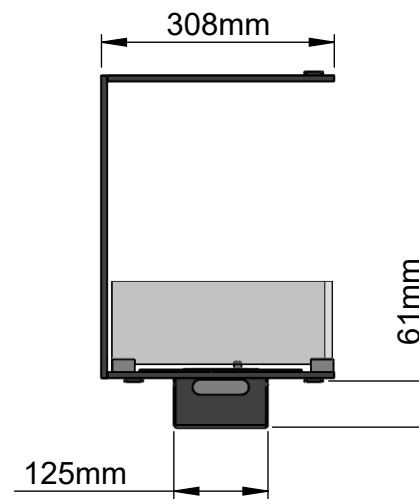
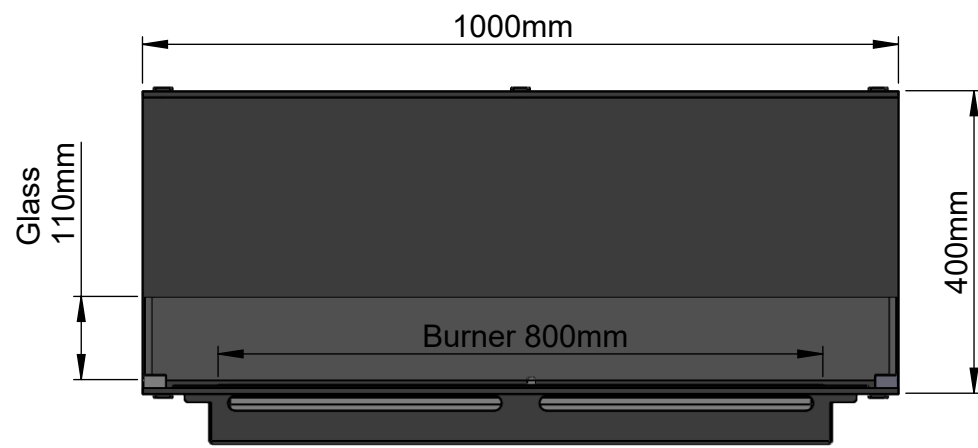
DETAIL B

NOTE

It is possible to change the burner unit, if you want to upgrade your fireplace from a manuel burner to an electrical burner

If only a manual burner is required, the recess is: W=150mm D=70mm
By changing from manuel burner to electrical burner, the recess is: W=210mm D=150mm

REVISION: -		Date: 26-02-2020	 DecoFlame ApS Vang Mark 2 9380 Vestbjerg TLF: +45 96 30 48 00 www.decoflame.com	SCALE: 1:10
Author: TTK		Order Number - Customer - Reference: PRINCIP Montreal Front Right Left conv. 1000x400x308mm - MB800 - 3x low		FORMAT: A3
Copyright of DecoFlame ApS Denmark, whose property this document remains. No part thereof may be disclosed, copied, duplicated or in any other way made use of, except with the approval of DecoFlame ApS.		Customer Approval Signature - Date	Page 2 OF 4	



Montreal - Open to front, left and right

General Installation Guidelines for "decoflame® made to measure fireplaces":

The wall cut-out is made at least 20mm deeper than the depth of the fireplace to ensure sufficient air flow and cooling of the fireplace. Furthermore, it is essential to maintain a 5mm gap all the way around the fireplace (Cut-out = Fireplace Dimensions + 10mm) This gap must not be sealed.

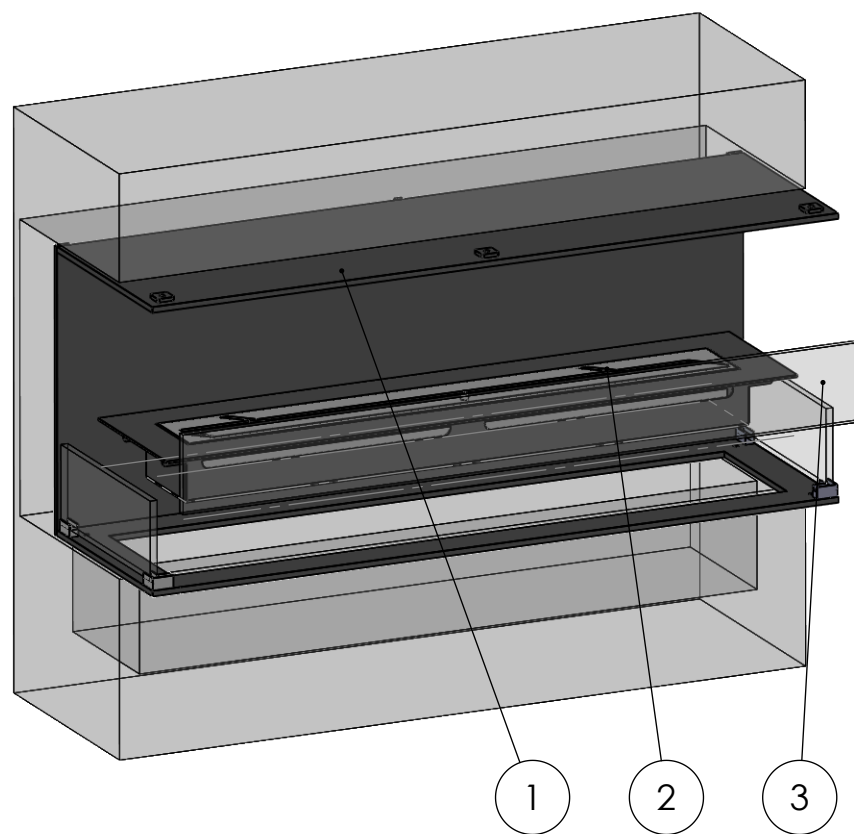
As the edges of the cut-out remain visible it is important that they are done to the highest possible finish. All four corners of the cut out must have exactly a 90 degree angle.

Plasterboard walls - Stud-walls
All surfaces inside the wall cut-out are to be covered with fibre plaster sheets or other non-inflammable materials.

Stone/Brick walls
The cut-out is made according to the attached drawing.


Important
Make sure to create a closed cavity for the section below the base plate of the fire and above the roof of the fireplace.

Installation process



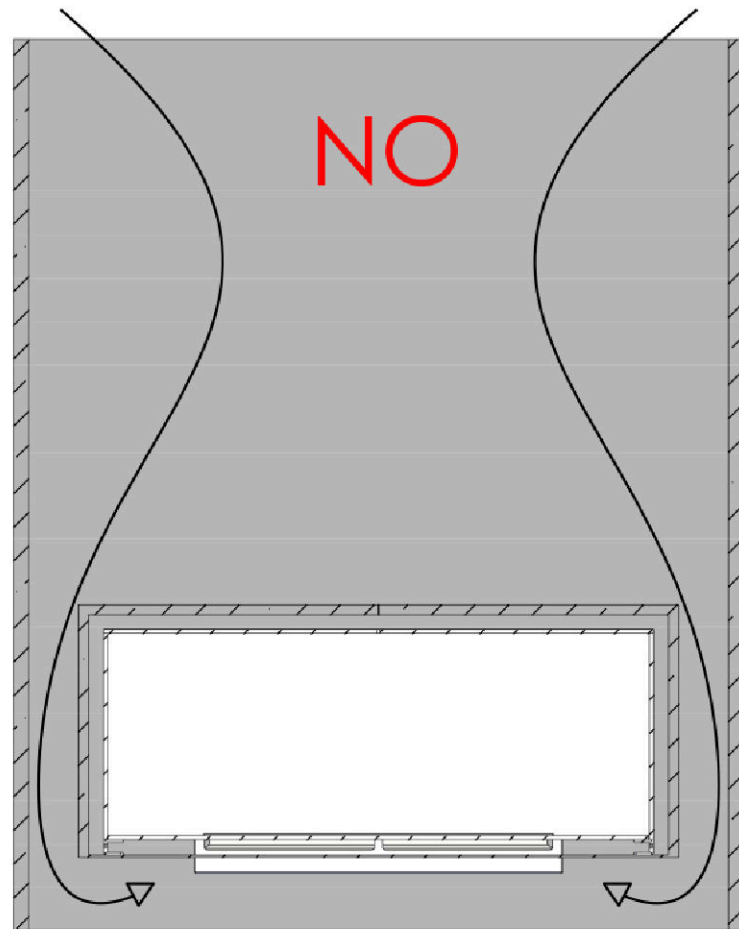
Exploded view showing the installation process.

1. The chassis of the fireplace (top/sides/bottom) is centered in the wall cut-out.
Use suited wall plugs depending on the type of wall.
2. The fireplace is plugged in the power outlet and lowered into the recess.
3. Gently place the glass on the base plate pins.

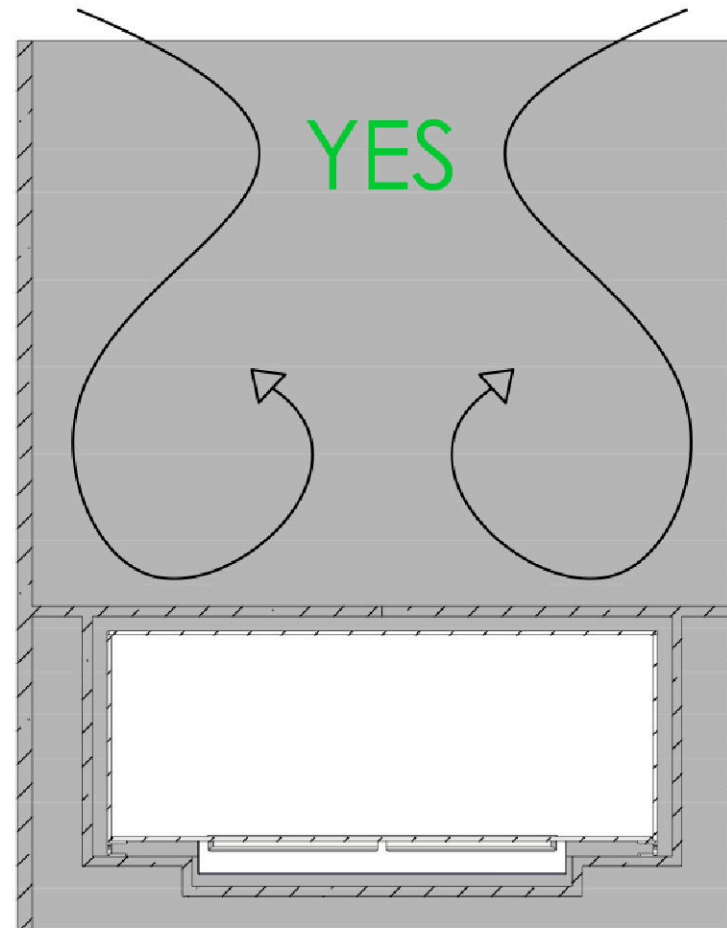
Dimensions are in millimeters		 DecoFlame ApS Vang Mark 2 9380 Vestbjerg TLF: +45 96 30 48 00 www.decoflame.com	SCALE: 1:10
REVISION: -	Date 26-02-2020		FORMAT: A3
Author: TTK		Order Number - Customer - Reference: PRINCIP Montreal Front Right Left conv. 1000x400x308mm - MB800 - 3x low	Page 3 OF 4
Copyright of DecoFlame ApS Denmark, whose property this document remains. No part thereof may be disclosed, copied, duplicated or in any other way made use of, except with the approval of DecoFlame ApS.		Customer Approval Signature - Date	

IMPORTANT INFORMATION

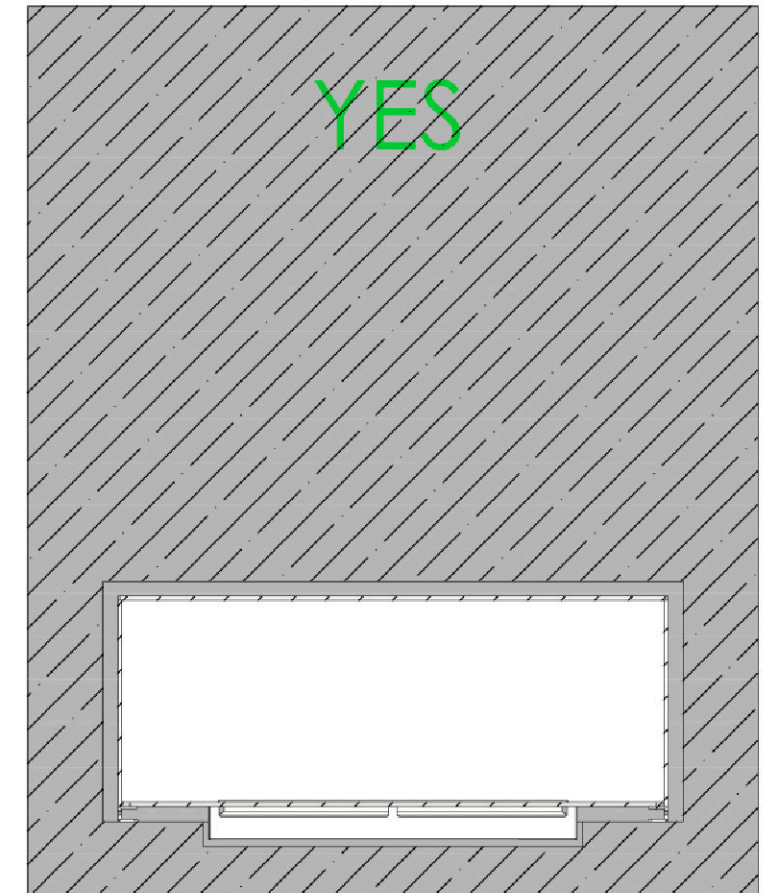
Particulars of the wall in which the fireplace shall be installed




DO NOT! install the fireplace in a wall construction which is open above and below the fireplace. The warm air will cause turbulences inside this hollow construction which will have a negative impact on the flames.



DO! install the fireplace in an open-wall construction, which is closed above and below the fireplace. Make sure to create a closed cavity for the section below the base plate of the fire.



DO! install the fireplace in a massive wall (made of bricks, stone or gas beton) using the wall cut-out dimensions mentioned on the previous page.

Dimensions are in millimeters		 DecoFlame ApS Vang Mark 2 9380 Vestbjerg TLF: +45 96 30 48 00 www.decoflame.com	SCALE: 1:10
REVISION: -	Date 26-02-2020		FORMAT: A3
Author: TTK		Order Number - Customer - Reference: PRINCIP Montreal Front Right Left conv. 1000x400x308mm - MB800 - 3x low	Page 4 OF 4
Copyright of DecoFlame ApS Denmark, whose property this document remains. No part thereof may be disclosed, copied, duplicated or in any other way made use of, except with the approval of DecoFlame ApS.		Customer Approval Signature - Date	